

**NOTE:**

1. CU CONDUCTOR MUST ALWAYS BE POSITIONED BELOW OR UNDERNEATH AL CONDUCTOR AT POINT OF CONNECTION
2. NO BOLT HOLES ON HOB POLES TO BE COVERED BY ADDED HARDWARE
3. GUARD TO BE MINIMUM 2400MM FROM FINAL GRADE WHERE NO SERVICE DISCONNECT PANEL AVAILABLE
4. DETAIL 'A' AND DETAIL 'B' CAN BE COMBINED FOR OVERHEAD TO OVERHEAD/UNDERGROUND SERVICE
5. STREET LIGHT SERVICE ENTRANCE NOT TO BE INSTALLED ON POLES ADJACENT TO ROAD CROSSINGS AND DRIVEWAY

ALL DIMENSIONS IN MILLIMETERS UNLESS OTHERWISE NOTED



**BRAMPTON**  
Flower City

**STREET LIGHTING SERVICE ENTRANCE**

OVERHEAD TO OVERHEAD AND OVERHEAD TO UNDERGROUND

STREET LIGHT DETAILS - 500

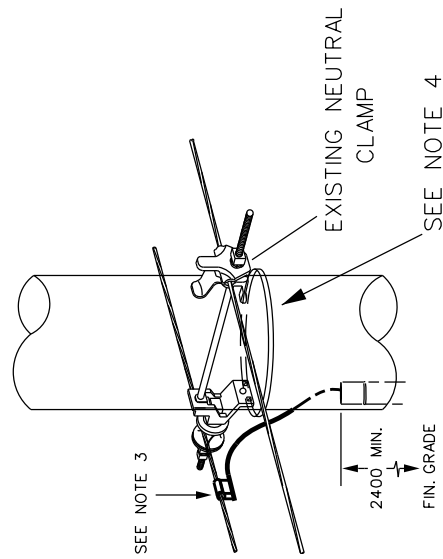
APPROVED:  
MARCH  
2017

ORIGINAL:  
JUNE 2006

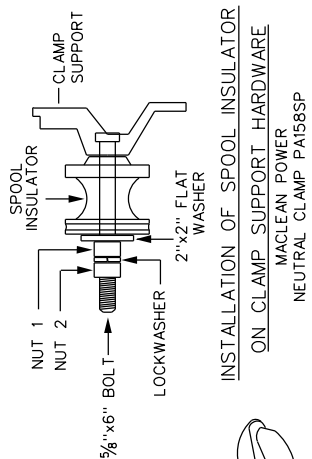
REV. 4

**501**

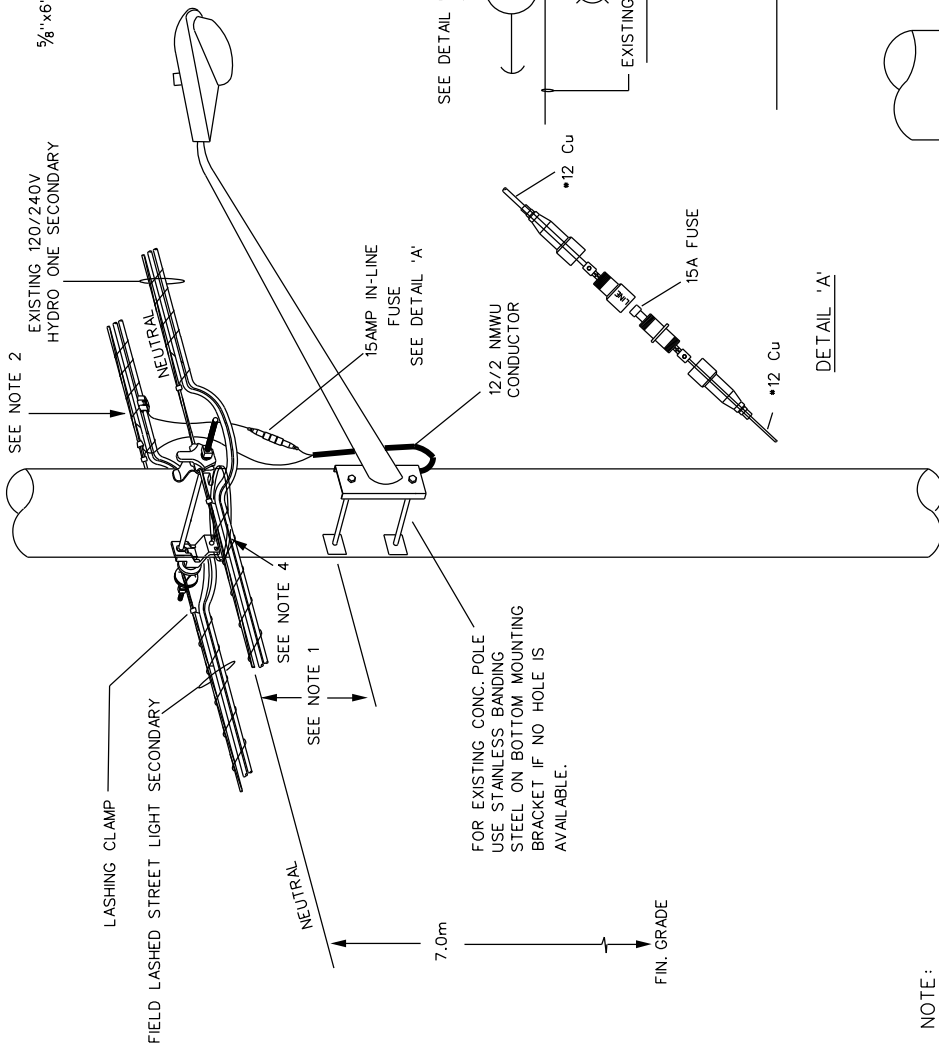
N.T.S



DETAIL 'B'

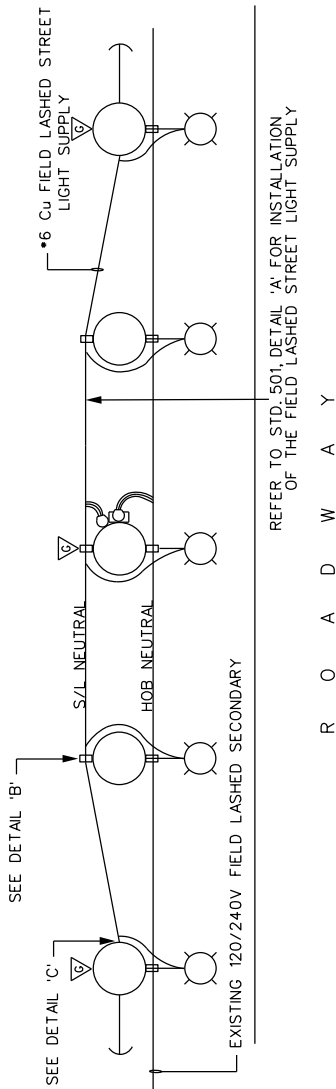


INSTALLATION OF SPOOL INSULATOR ON CLAMP SUPPORT HARDWARE  
MACLEAN POWER  
NEUTRAL CLAMP PA158SP



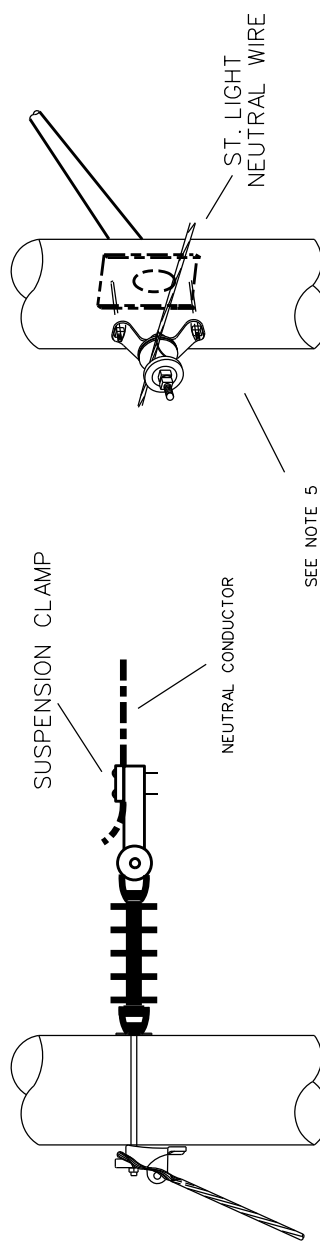
FOR EXISTING CONC. POLE USE STAINLESS BANDING STEEL ON BOTTOM MOUNTING BRACKET IF NO HOLE IS AVAILABLE.

DETAIL 'A'



REFER TO STD. 501, DETAIL 'A' FOR INSTALLATION OF THE FIELD LASHED STREET LIGHT SUPPLY

R O A D W A Y



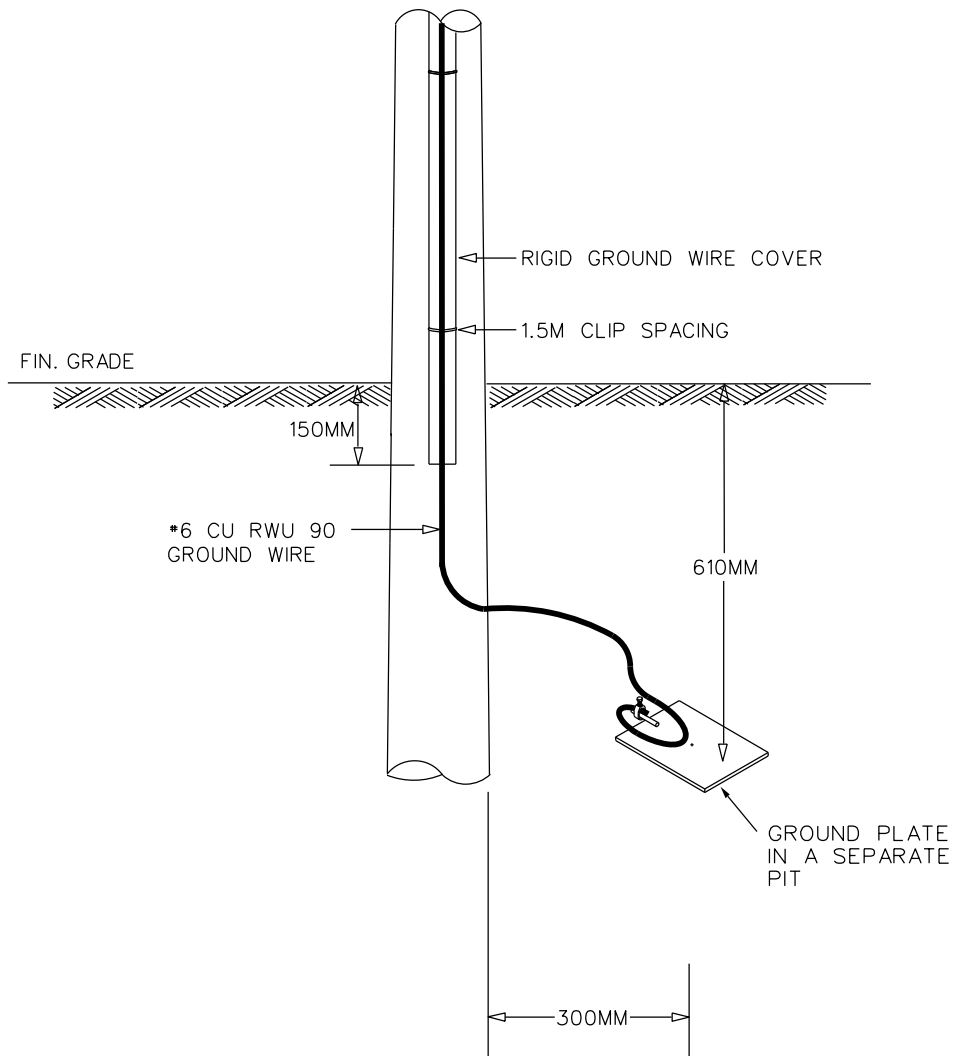
DETAIL 'C'

ALTERNATIVE STREET LIGHT NEUTRAL ASSEMBLY

**NOTE:**

1. TYPICAL DISTANCE OF BRACKET FROM NEUTRAL IS 150MM ON WOOD POLE, 250MM ON CONCRETE POLE
2. STREET LIGHT CONNECTION TO ALTERNATE CONDUCTOR AT EACH POLE TO BALANCE LOAD
3. S/L NEUTRAL TO BE GROUNDED AT DEADENDS, POINTS OF SUPPLY, AND EVERY 6 SPANS  
-S/L CONTRACTOR TO SUPPLY AND INSTALL GROUND WIRE TO S/L NEUTRAL ONLY  
-ONLY WEDGE/AMP STYLE CONNECTOR TO BE USED  
-REFER TO CITY STANDARD 504 FOR GROUND PLATE INSTALLATION
4. CITY (CONTRACTOR) TO INSTALL STEEL BAND AT BOTTOM LEG OF BRACKET SURING STREET LIGHTING INSTALLATION ON CONCRETE POLES AND LAG SCREW ON WOOD POLES.
5. ALTERNATIVE NEUTRAL MOUNTING OPTIONS WHEN NECESSARY
6. COPPER CONDUCTOR POSITIONED BELOW OR UNDERNEATH ALUMINUM CONDUCTOR
7. APPLICATION OF SIDE MOUNT STREET LIGHT BRACKET IS REQUIRED WHEN THERE IS A CONFLICT WITH PRIMARY DIP, SECONDARY, SPAN GUY OR SERVICE WIRES

ALL DIMENSIONS IN mm UNLESS OTHERWISE NOTED



**BRAMPTON**  
Flower City

**GROUND PLATE  
INSTALLATION**

TYPICAL

STREET LIGHT DETAILS - 500

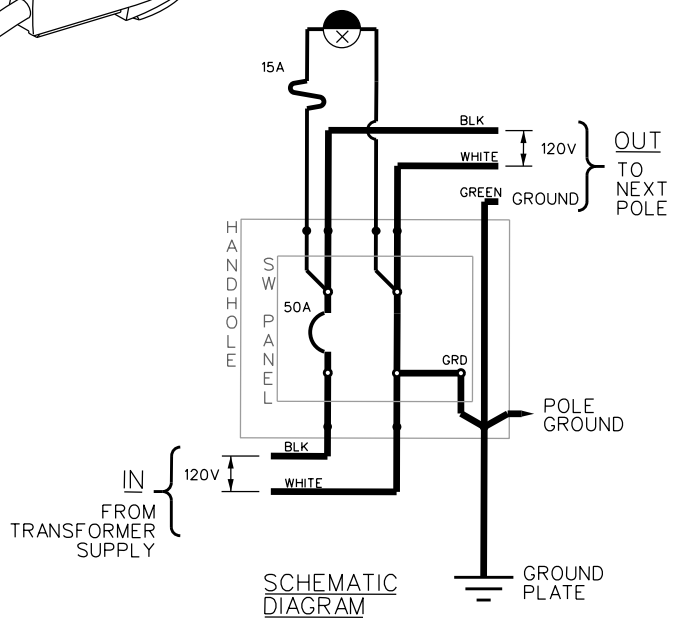
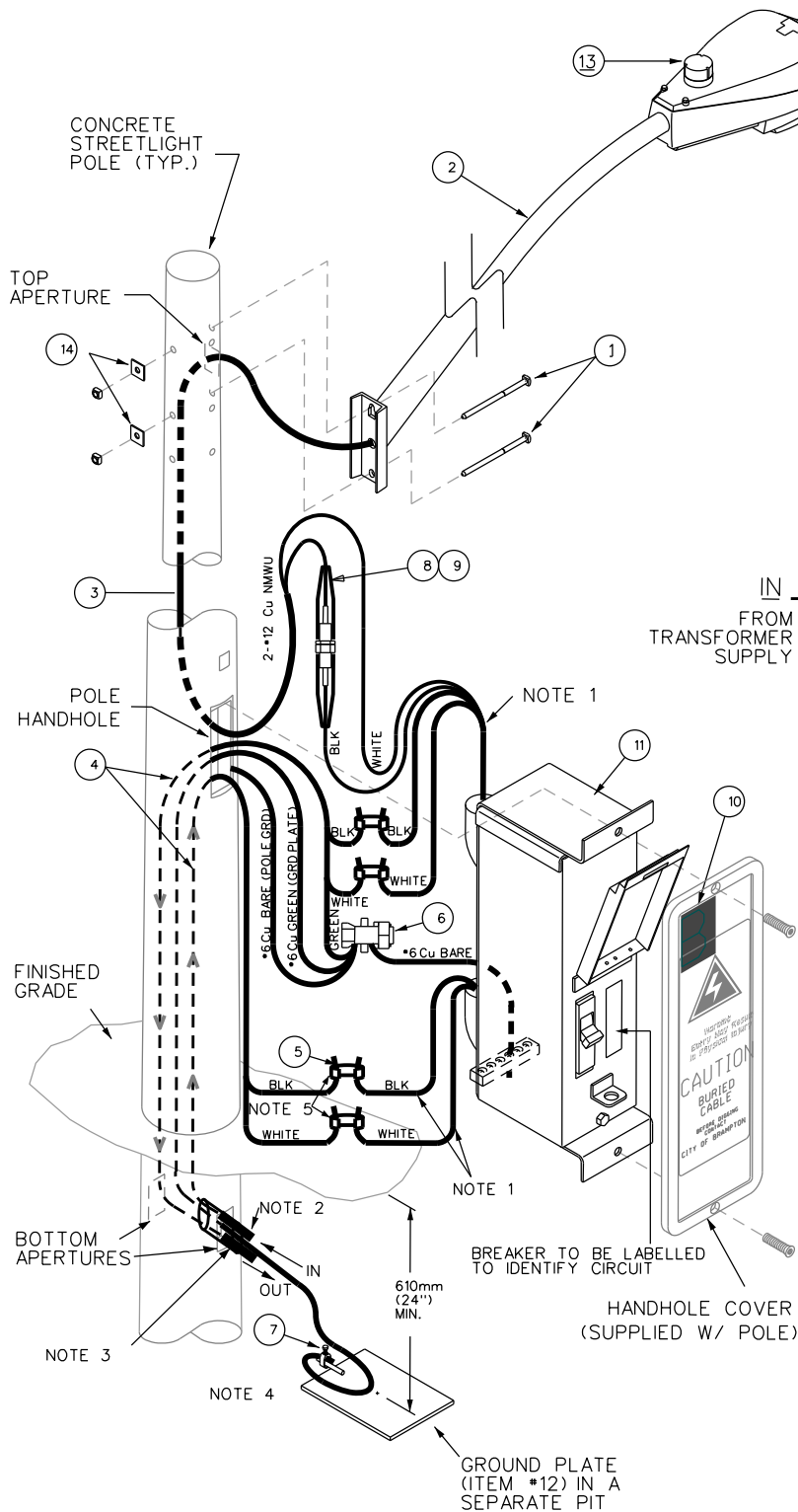
APPROVED:  
APRIL 2014

ORIGINAL:  
JUNE 2006

REV. 2

**504**

N.T.S



SCHMATIC DIAGRAM

BILL OF MATERIALS (REF. STORES & MATERIAL CATALOGUE)		
ITEM*	DESCRIPTION	QTY
1	BOLT, MACHINE, (5/8"x10") 15.875mm x 254mm	2
2	BRACKET, LUMINAIRE, IDENTIFIED IN CONTRACT	1
3	CABLE, 2-*12 Cu NMWU, PVCJ, 1000 V	**
4	CABLE, 3-*6 Cu STR,RWU90, XLPE, 1000 V	**
5	CRIMP CONNECTOR, C-TAP WITH CSA STAMP APPROVAL	4
6	CONNECTOR, SPLIT BOLT	1
7	CONNECTOR, 1-BOLT CLAMP	1
8	FUSE, CARTRIDGE, 15 A	1
9	FUSE HOLDER, 30 A, 600V, NON-BRKWY, FOR *12AWG Cu	1
10	MARKER, LETTER "B"	1
11	PANEL, SWITCH, IN-POLE, c/w 1-50 A BREAKER	1
12	PLATE, GROUND, (10"x16"), 254mm X 406.4mm, C.S.A. APPROVED	1
13	PHOTOCELL, 120 V	1
14	WASHER, SQ. FLAT, (2"x2"), 50mm X 50mm	2

\*\* - LENGTH/QUANTITY/SIZE TO SUIT

**NOTE**

1. LEAVE FLEXIBLE BREAKER LEADS AND CABLE TAILS 127mm (5") LONGER THAN STANDARD TO FACILITATE EASIER BREAKER INSTALLATION IN HANDHOLE.
2. CABLE TO ENTER AND EXIT POLE USING SAME POLE APERTURE
3. 50mm (2") FLEXIBLE PVC CONDUIT TO PROTECT CABLE AT POLE APERTURE
4. REFER TO STANDARD 510 - NOTE 2
5. CONTRACTOR TO WRAP CRIMP CONNECTION USING ALGAMATED ELECTRICAL TAPE
6. CONTRACTOR TO APPLY ANTI-SEIZE TO HANDHOLE COVER BOLT

**NOTE:**

METRIC  
LINEAR DIMENSIONS SHOWN IN MILLIMETERS



**BRAMPTON**  
Flower City

**IN POLE BREAKER  
INSTALLATION**

STREET LIGHT DETAILS - 500

APPROVED:  
MARCH  
2017

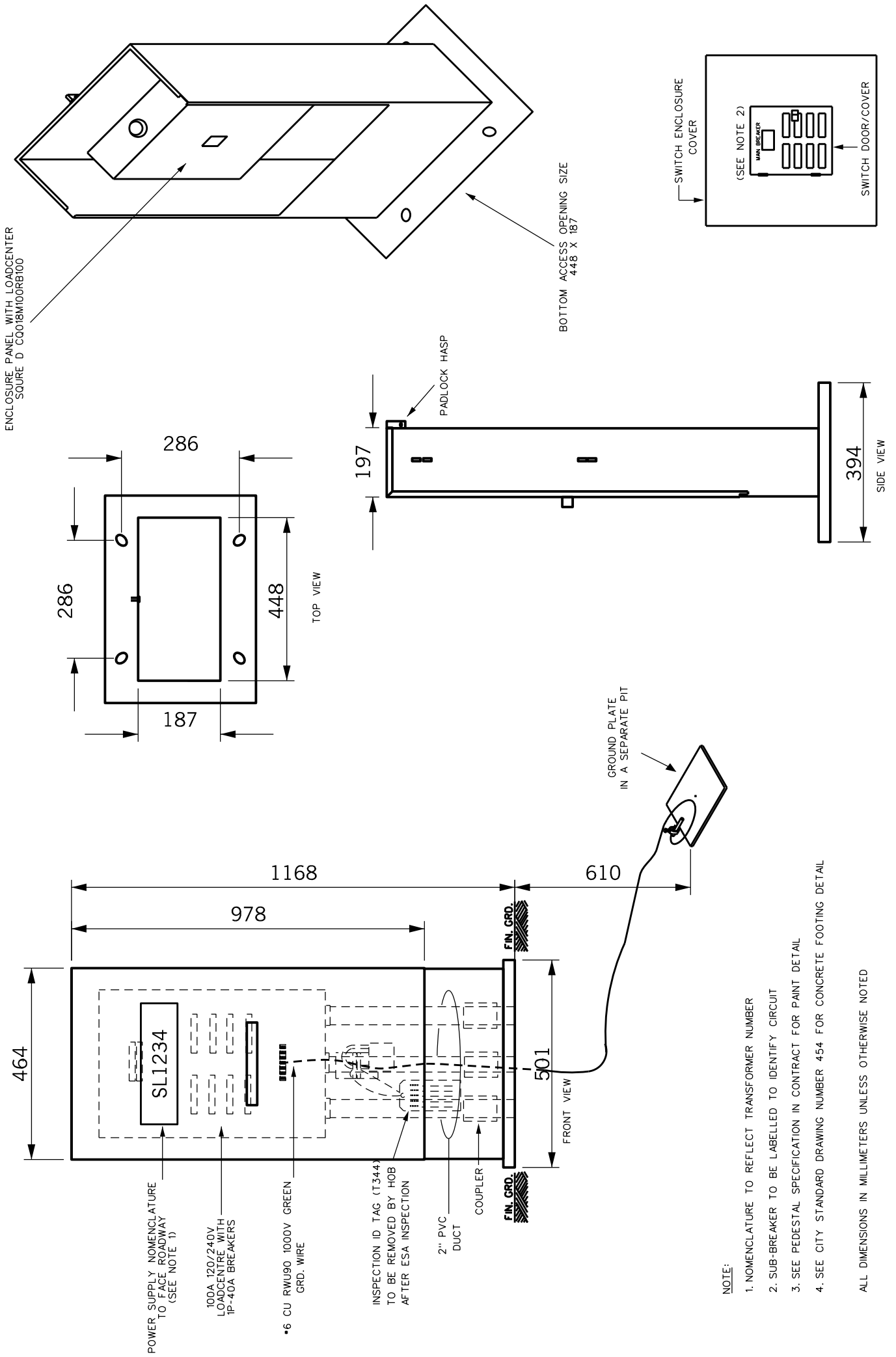
ORIGINAL:  
JUNE 2006

REV. 3

**505**

N.T.S





**BRAMPTON**  
Flower City

STREET LIGHT  
PEDESTAL

INSTALLATION

STREET LIGHT DETAILS - 500

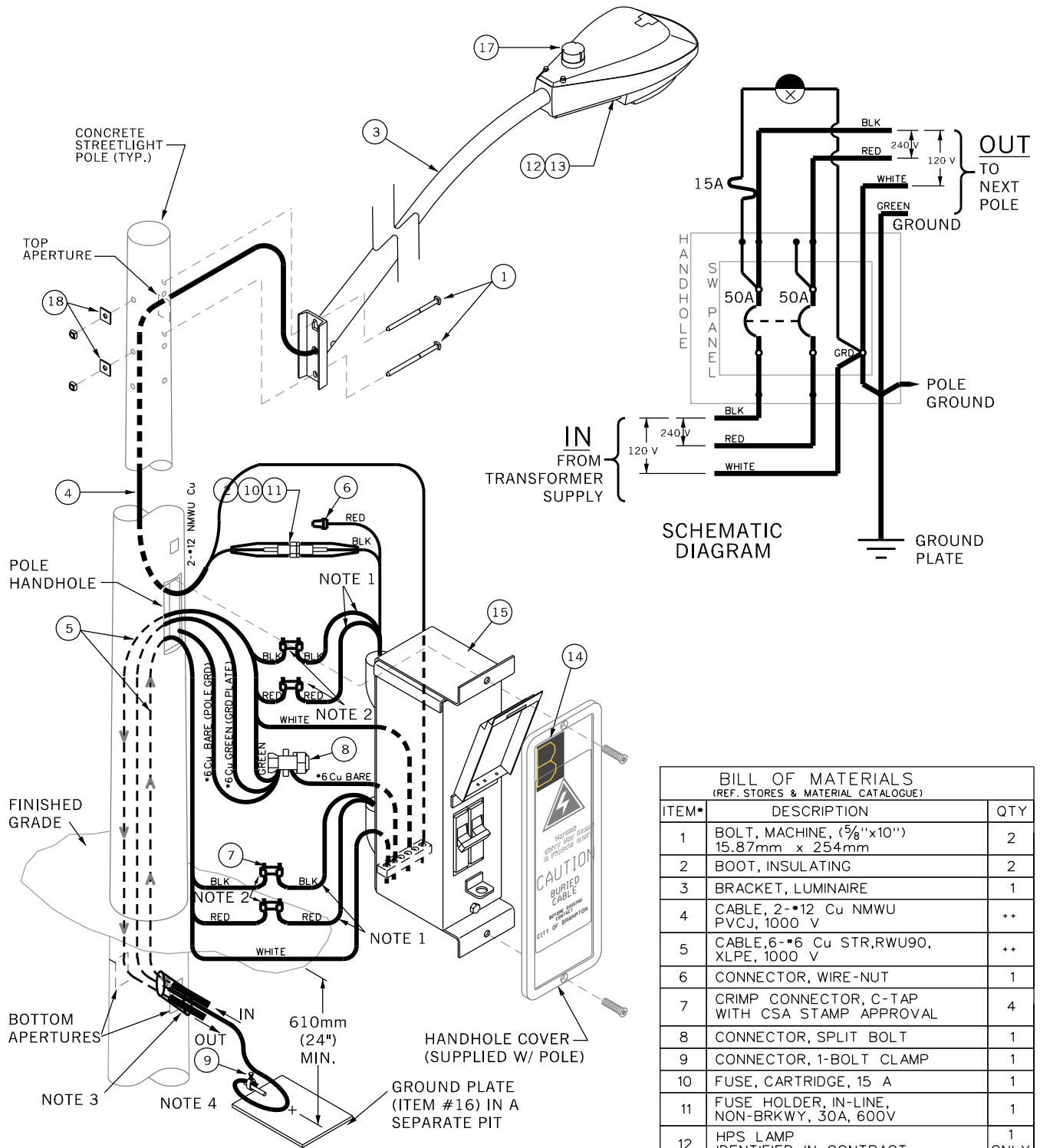
APPROVED:  
APRIL 2014

ORIGINAL:  
JUNE 2006

REV. 3

**507**

N.T.S



- NOTE
1. LEAVE FLEXIBLE BREAKER LEADS AND CABLE TAILS 127mm (5") LONGER THAN STANDARD TO FACILITATE EASIER BREAKER INSTALLATION IN HANDHOLE.
  2. CONTRACTOR TO WRAP CRIMP CONNECTION USING ALGAMATED ELECTRICAL TAPE.
  3. 50mm (2") FLEXIBLE PVC CONDUIT TO PROTECT CABLE AT POLE APERTURE
  4. REFER TO STANDARD 510 - NOTE 2
  5. CONTRACTOR TO APPLY ANTI-SEIZE TO HANDHOLE COVER BOLT

NOTE:  
METRIC  
LINEAR DIMENSIONS SHOWN IN MILLIMETRES

BILL OF MATERIALS (REF. STORES & MATERIAL CATALOGUE)		
ITEM#	DESCRIPTION	QTY
1	BOLT, MACHINE, (5/8"x10") 15.87mm x 254mm	2
2	BOOT, INSULATING	2
3	BRACKET, LUMINAIRE	1
4	CABLE, 2-*12 Cu NMWU PVCJ, 1000 V	++
5	CABLE, 6-*6 Cu STR, RWU90, XLPE, 1000 V	++
6	CONNECTOR, WIRE-NUT	1
7	CRIMP CONNECTOR, C-TAP WITH CSA STAMP APPROVAL	4
8	CONNECTOR, SPLIT BOLT	1
9	CONNECTOR, 1-BOLT CLAMP	1
10	FUSE, CARTRIDGE, 15 A	1
11	FUSE HOLDER, IN-LINE, NON-BRKWY, 30A, 600V	1
12	HPS LAMP IDENTIFIED IN CONTRACT	1 ONLY
13	LUMINAIRE IDENTIFIED IN CONTRACT	1 ONLY
14	MARKER, LETTER "B"	1
15	PANEL, SWITCH, IN-POLE, c/w 2-50 A BREAKER	1
16	PLATE, GROUND, (10"x16"), 254mm X 406.4mm CSA APPROVED	1
17	PHOTOCELL, 120V	1
18	WASHER, SQ, FLAT, (2"x2") 50mm x 50mm	2

++ - LENGTH/QUANTITY/SIZE TO SUIT



120/240 V  
DUAL-POLE IN POLE  
BREAKER INSTALLATION

APPROVED:  
MARCH  
2017

REV. 4

508

STREET LIGHT DETAILS - 500

ORIGINAL:  
JUNE 2006

N.T.S

SEE NOTE 1

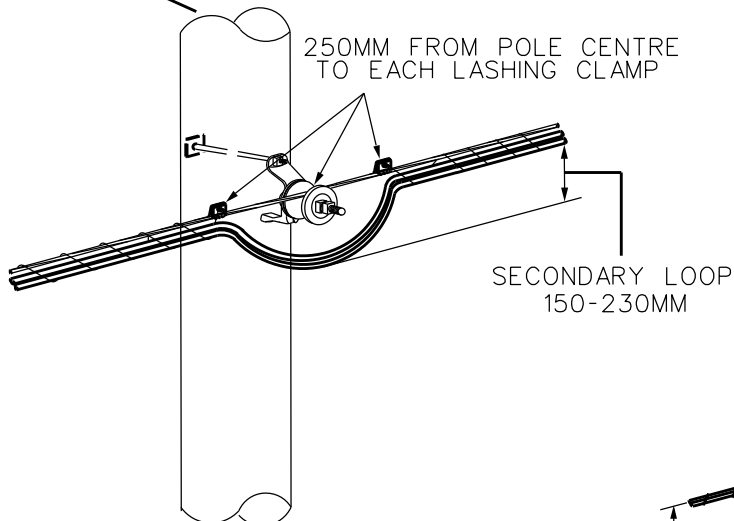


FIG. 1

SEE NOTE 1

SECONDARY LOOP 150-230MM

150-230MM DIAMETER

50-75MM FROM CLAMP

#6Cu

DOWN GUY

FIG. 2

SEE NOTE 1

50-75MM FROM CLAMP

#6Cu

150-230MM DIAMETER

FIG. 3

50-75MM FROM CLAMP

#6Cu

150-230MM DIAMETER

SEE NOTE 3

FIG. 4

NOTE :

1. ON 20M POLE OR SHORTER STREETLIGHT BRACKET OR DEADEND WILL BE LEVEL WITH HOB NEUTRAL  
ON 21M POLE OR GREATER STREETLIGHT BRACKET OR DEADEND WILL BE POSITIONED  
150MM ON WOOD OR 250MM ON CONCRETE BELOW HOB NEUTRAL
2. CONNECTIONS ARE TO ALTERNATE BETWEEN HOTLEGS AT EACH POLE BALANCING CIRCUIT LOAD
3. ALL SECONDARY DEADENDS REQUIRE A BACK GUY

ALL DIMENSIONS IN mm UNLESS OTHERWISE NOTED



**BRAMPTON**  
Flower City

LASHED STREET  
LIGHT SECONDARY  
AND NEUTRAL DEADEND  
ASSEMBLY

STREET LIGHT DETAILS - 500

APPROVED:  
MARCH  
2017

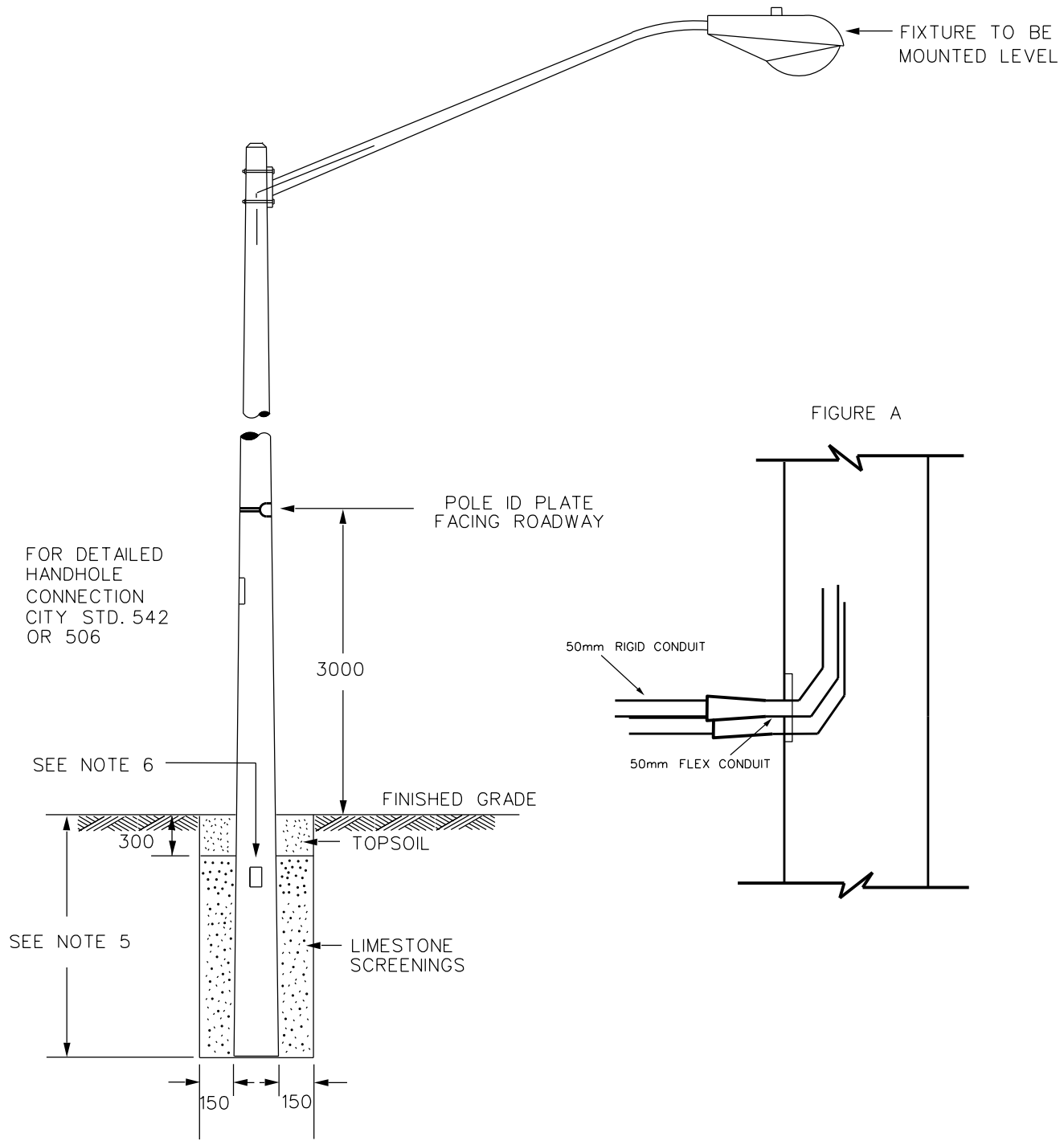
ORIGINAL:  
JUNE 2010

REV. 1

**509**

N.T.S

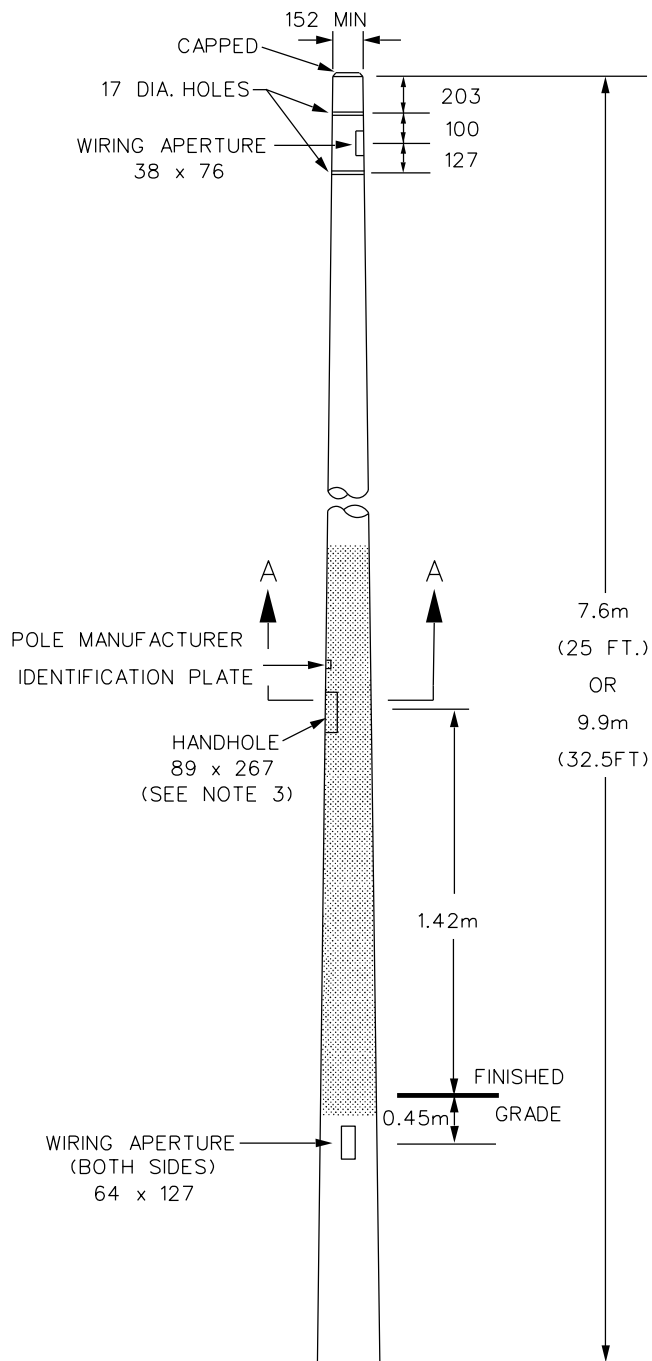




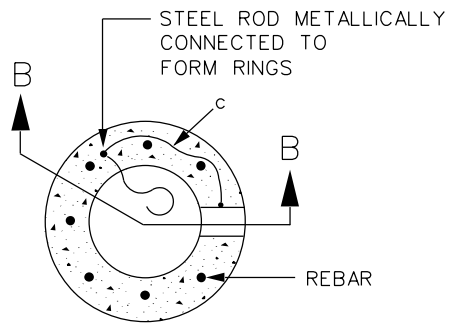
**NOTE :**

1. BACKFILL POLE EXCAVATION WITH LIMESTONE SCREENINGS WELL TAMPERED TO WITHIN 150mm OF THE CENTRE OF THE SUBGRADE HANDHOLE.
2. POSITION FLEX CONDUIT INTO SUBGRADE HANDHOLE
3. BACKFILL REMAINING POLE EXCAVATION WITH SOIL, FREE FROM STONE AND ANY OTHER DEBRIS AND LEVELLED TO MATCH EXISTING GRADE.
4. REINSTATE AREA TO MATCH EXISTING CONDITIONS.
5. INSTALLATION DEPTH IS 10% OF POLE HEIGHT PLUS 610mm
6. 50mm FLEXIBLE PVC CONDUIT TO PROTECT CABLE AT POLE APERTURE SEE FIGURE A

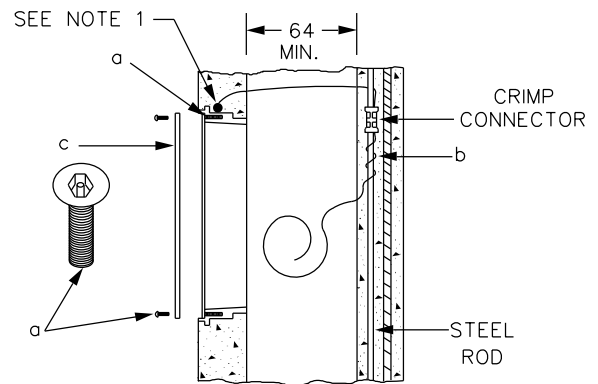
ALL DIMENSIONS IN mm UNLESS OTHERWISE NOTED



SECTION A-A



SECTION B-B



MATERIAL

- a. TAMPER PROOF 1/4"-20x3/4" ALLEN KEY BUTTON PAN HEAD STAINLESS STEEL BOLT.
- b. GROUNDING LEAD - USE NO. 6 AWG MIN. STRANDED CU. WIRE, THREE TURNS, CRIMPED TO STEEL ROD. LEAD TO EXTEND 305mm OUTSIDE THE HANDHOLE.
- c. CAST METALLIC HANDHOLE FRAME AND COVER.

NOTE:

1. METALLIC HANDHOLE FRAME MUST BE ELECTRICALLY BONDED TO THE NO. 6 GROUND WIRE.
  2. SEE STD 510 FOR POSITION OF POLE ID PLATE
  3. CONTRACT TO APPLY ANTI-SEIZE TO HANDHOLE COVER BOLT
- ALL DIMENSIONS IN mm UNLESS OTHERWISE NOTED



**BRAMPTON**  
Flower City

**STREET LIGHT POLE**

C.S.A. CLASS 'B' 7.6m (25FT) AND  
C.S.A. CLASS 'B' 9.0m (32.5FT)  
ROUND PRE-STRESS CONCRETE

STREET LIGHT DETAILS - 500

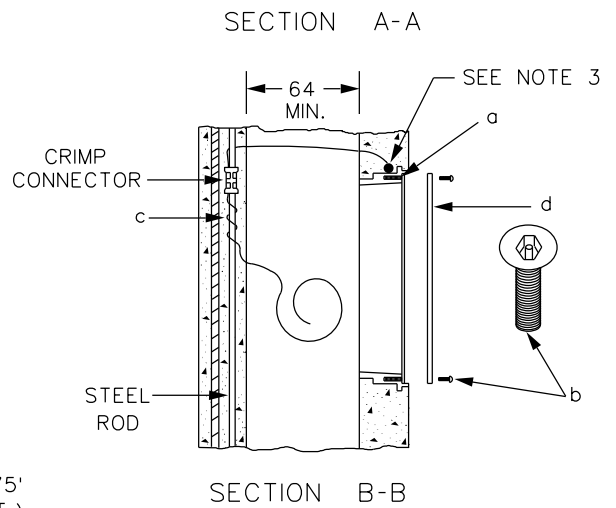
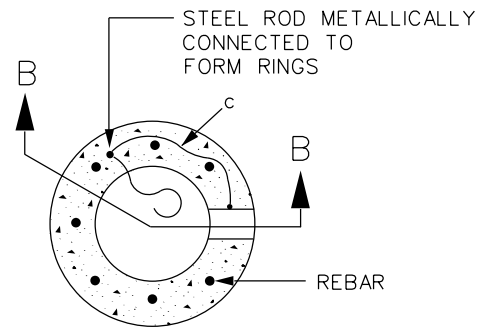
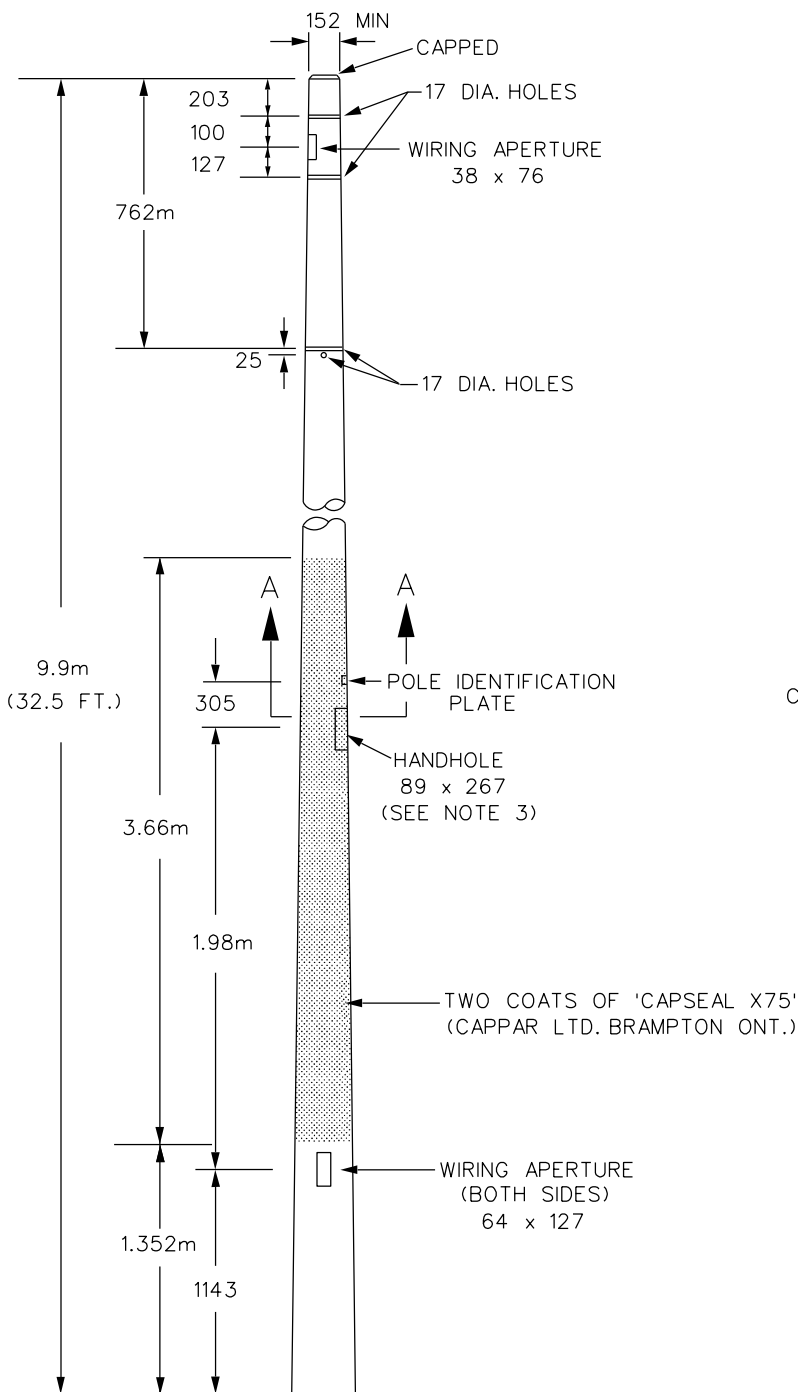
APPROVED:  
MARCH  
2017

ORIGINAL:  
JUNE 2006

REV. 3

**511**

N.T.S



#### MATERIAL

- a. 1/4"-20x3/4" THREADED CORE.
- b. 1/4"-20x3/4" ALLEN KEY BUTTON PAN HEAD STAINLESS STEEL BOLT.
- c. GROUNDING LEAD - USE NO. 6 AWG MIN. STRANDED CU. WIRE, THREE TURNS, CRIMPED TO STEEL ROD. LEAD TO EXTEND 305mm OUTSIDE THE HANDHOLE.
- d. CAST METALLIC HANDHOLE FRAME AND COVER.

#### NOTE:

1. DIMENSIONS SHOWN ARE IN MILLIMETERS UNLESS OTHERWISE SPECIFIED.
2. POLE TO BE CONSTRUCTED AS PER CSA A14-00 OR LATEST REVISION
3. METALLIC HANDHOLE FRAME MUST BE ELECTRICALLY BONDED TO THE NO. 6 GROUND WIRE.
4. CONTRACTOR TO APPLY ANTI-SEIZE TO HANDHOLE COVER BOLT



**BRAMPTON**  
Flower City

### STREET LIGHT POLE

C.S.A. CLASS 'B' 9.9m (32.5FT)  
ROUND PRE-STRESS CONCRETE

STREET LIGHT DETAILS - 500

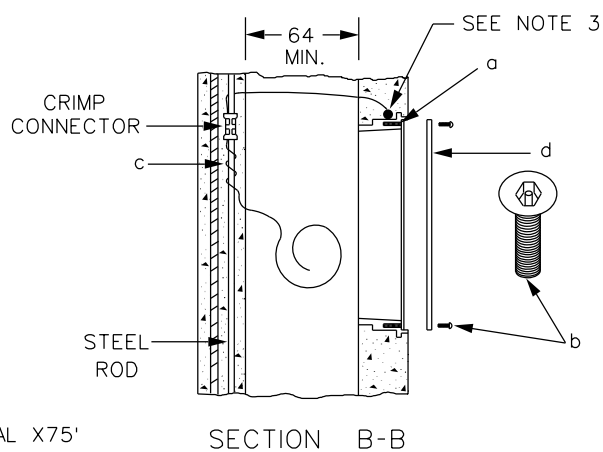
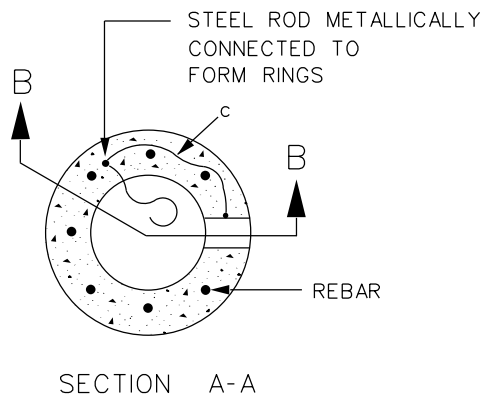
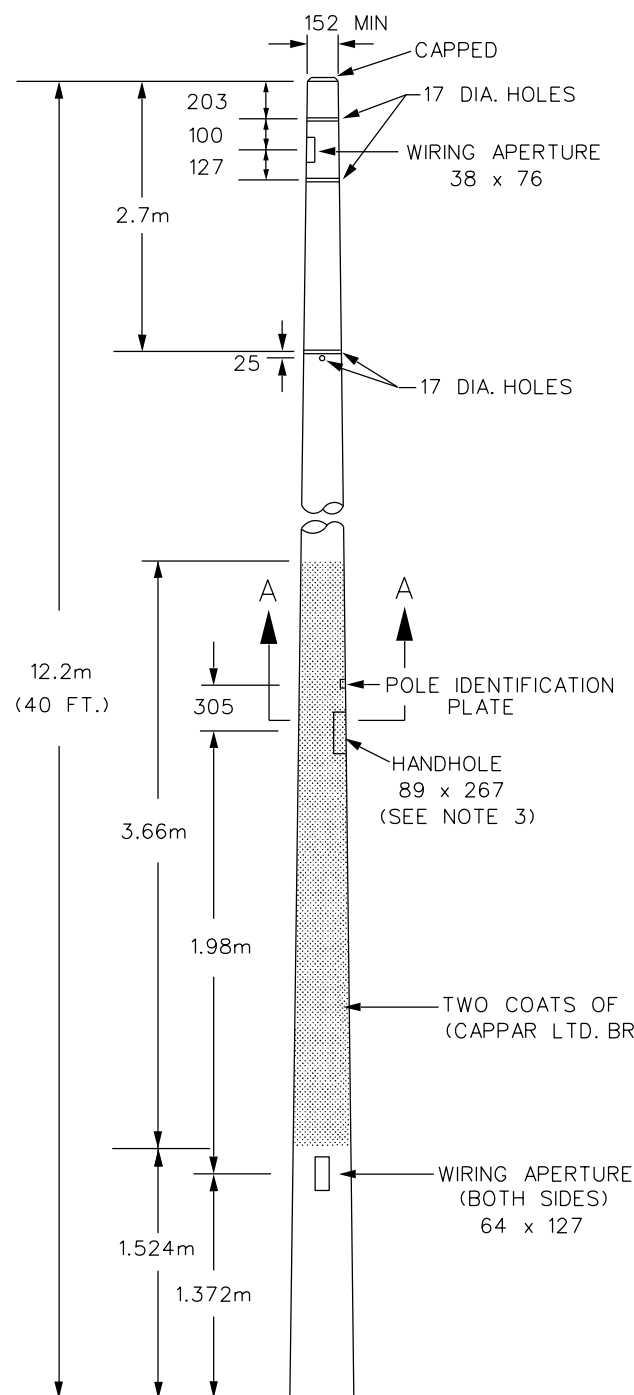
APPROVED:  
MARCH  
2017

ORIGINAL:  
JUNE 2006

REV. 1

**512**

N.T.S



**MATERIAL**

- a. 1/4"-20x3/4" THREADED CORE.
- b. 1/4"-20x3/4" ALLEN KEY BUTTON PAN HEAD STAINLESS STEEL BOLT.
- c. GROUNDING LEAD - USE NO. 6 AWG MIN. STRANDED CU. WIRE, THREE TURNS, CRIMPED TO STEEL ROD. LEAD TO EXTEND 305mm OUTSIDE THE HANDHOLE.
- d. CAST METALLIC HANDHOLE FRAME AND COVER.

**NOTE :**

1. DIMENSIONS SHOWN ARE IN MILLIMETERS UNLESS OTHERWISE SPECIFIED.
2. POLE TO BE CONSTRUCTED AS PER CSA A14-00 OR LATEST REVISION FOR SPUN REINFORCED CONCRETE POLE.
3. METALLIC HANDHOLE FRAME MUST BE ELECTRICALLY BONDED TO THE NO. 6 GROUND WIRE.
4. CONTRACTOR TO APPLY ANTI-SEIZE TO HANDHOLE COVER BOLT



**BRAMPTON**  
Flower City

**STREET LIGHT POLE**

C.S.A. CLASS 'B' 12.2m (40FT)  
ROUND PRE-STRESS CONCRETE

STREET LIGHT DETAILS - 500

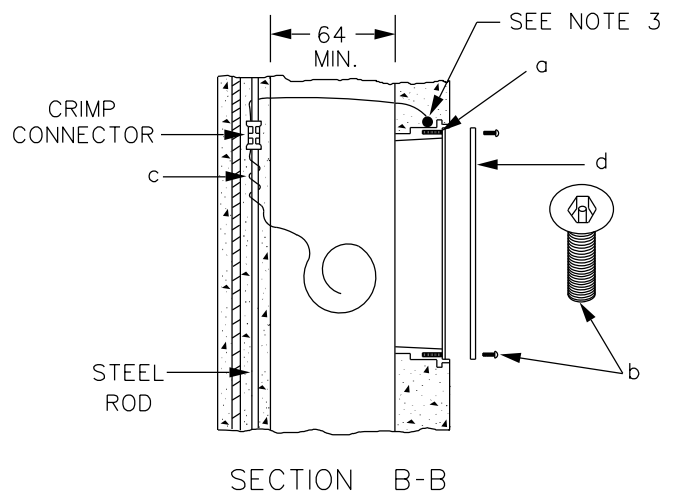
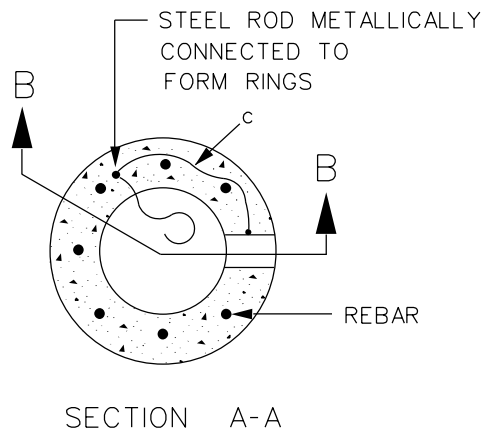
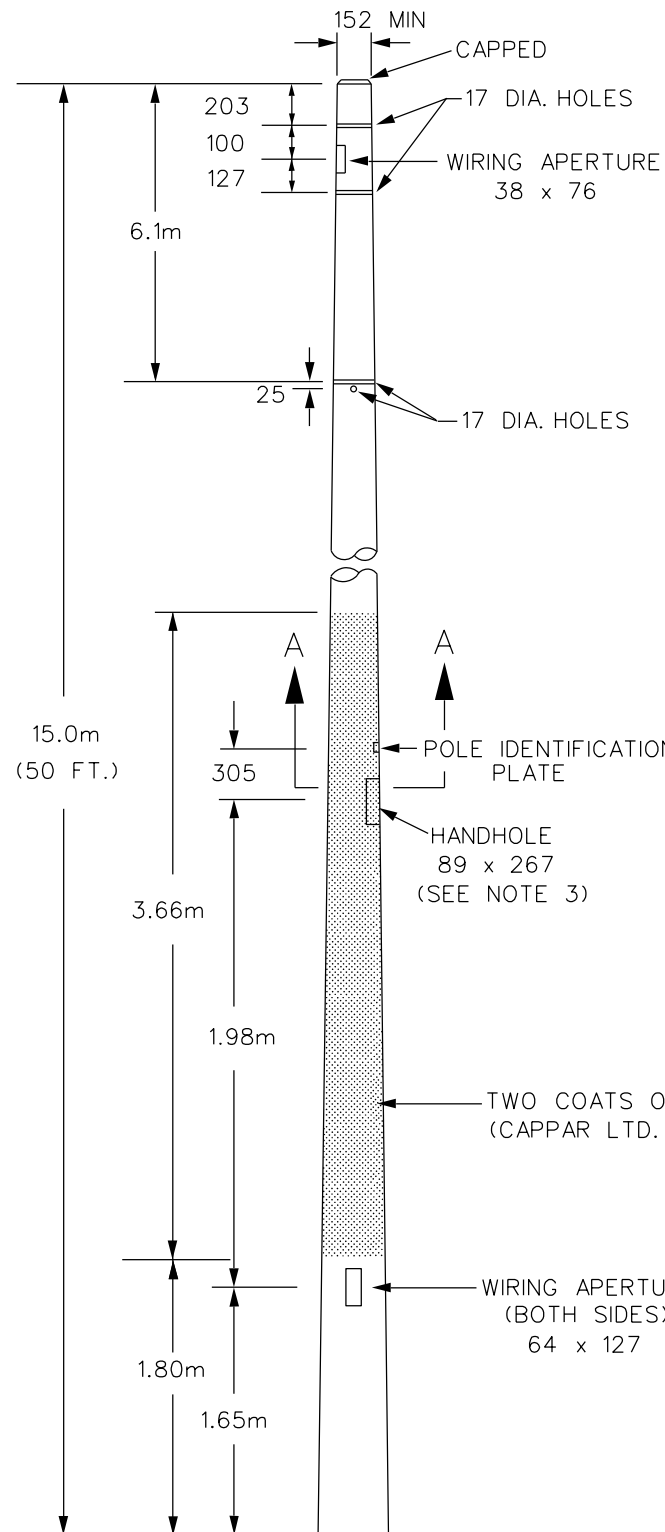
APPROVED:  
MARCH  
2017

ORIGINAL:  
JUNE 2006

REV. 1

**513**

N.T.S



#### MATERIAL

- a. 1/4"-20x3/4" THREADED CORE.
- b. 1/4"-20x3/4" ALLEN KEY BUTTON PAN HEAD STAINLESS STEEL BOLT.
- c. GROUNDING LEAD - USE NO. 6 AWG MIN. STRANDED CU. WIRE, THREE TURNS, CRIMPED TO STEEL ROD. LEAD TO EXTEND 305mm OUTSIDE THE HANDHOLE.
- d. CAST METALLIC HANDHOLE FRAME AND COVER.

#### NOTE :

1. DIMENSIONS SHOWN ARE IN MILLIMETERS UNLESS OTHERWISE SPECIFIED.
2. POLE TO BE CONSTRUCTED AS PER CSA A14-00 OR LATEST REVISION
3. METALLIC HANDHOLE FRAME MUST BE ELECTRICALLY BONDED TO THE NO. 6 GROUND WIRE.
4. CONTRACTOR TO APPLY ANTI-SEIZE TO HANDHOLE COVER BOLT



**BRAMPTON**  
Flower City

STREET LIGHT POLE

C.S.A. CLASS 'D' 15.2m (50FT)  
ROUND PRE-STRESS CONCRETE

STREET LIGHT DETAILS - 500

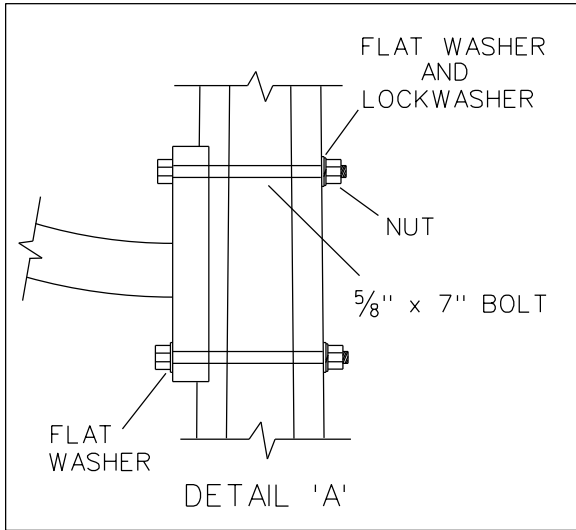
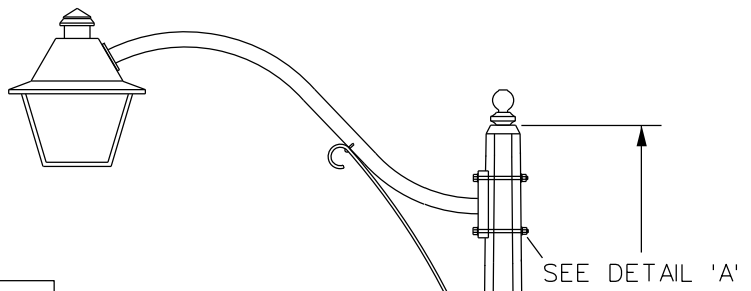
APPROVED:  
MARCH  
2017

ORIGINAL:  
JUNE 2006

REV. 1

**514**

N.T.S



POLE NUMBER ID PLATE  
FACING ROADWAY

NOSTALGIA CONCRETE POLE

3000

FINISH GRADE

CLEAN BACKFILL

SAND

LIMESTONE SCREENING

300

300

Z

Y

150 150

	FOR MAINTENANCE ONLY	
	7.62 m (25.0 FT.)	9.91 m (32.5 FT.)
X	6.25 m	8.31 m
Y	1.37 m	1.60 m
Z	0.77 m	1.00 m

NOTE :

FOR HANDHOLE CONNECTIONS SEE STANDARD 506  
 FOR LUMINAIRE REFER TO STANDARD 519  
 FOR POLE CAP DETAIL REFER TO STANDARD 518  
 FOR POLE SPECIFICATION REFER TO STANDARD 516  
 ALL DIMENSIONS IN mm UNLESS OTHERWISE NOTED



**BRAMPTON**  
Flower City

**NOSTALGIA  
STREET LIGHT**

TYPICAL INSTALLATION ON  
NOSTALGIA CONCRETE POLE

STREET LIGHT DETAILS - 500

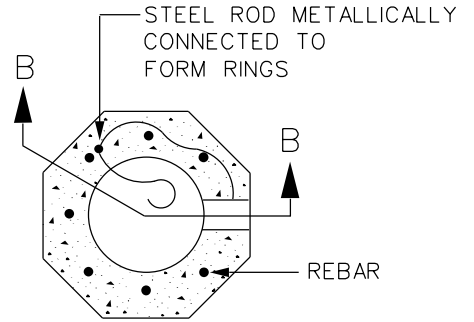
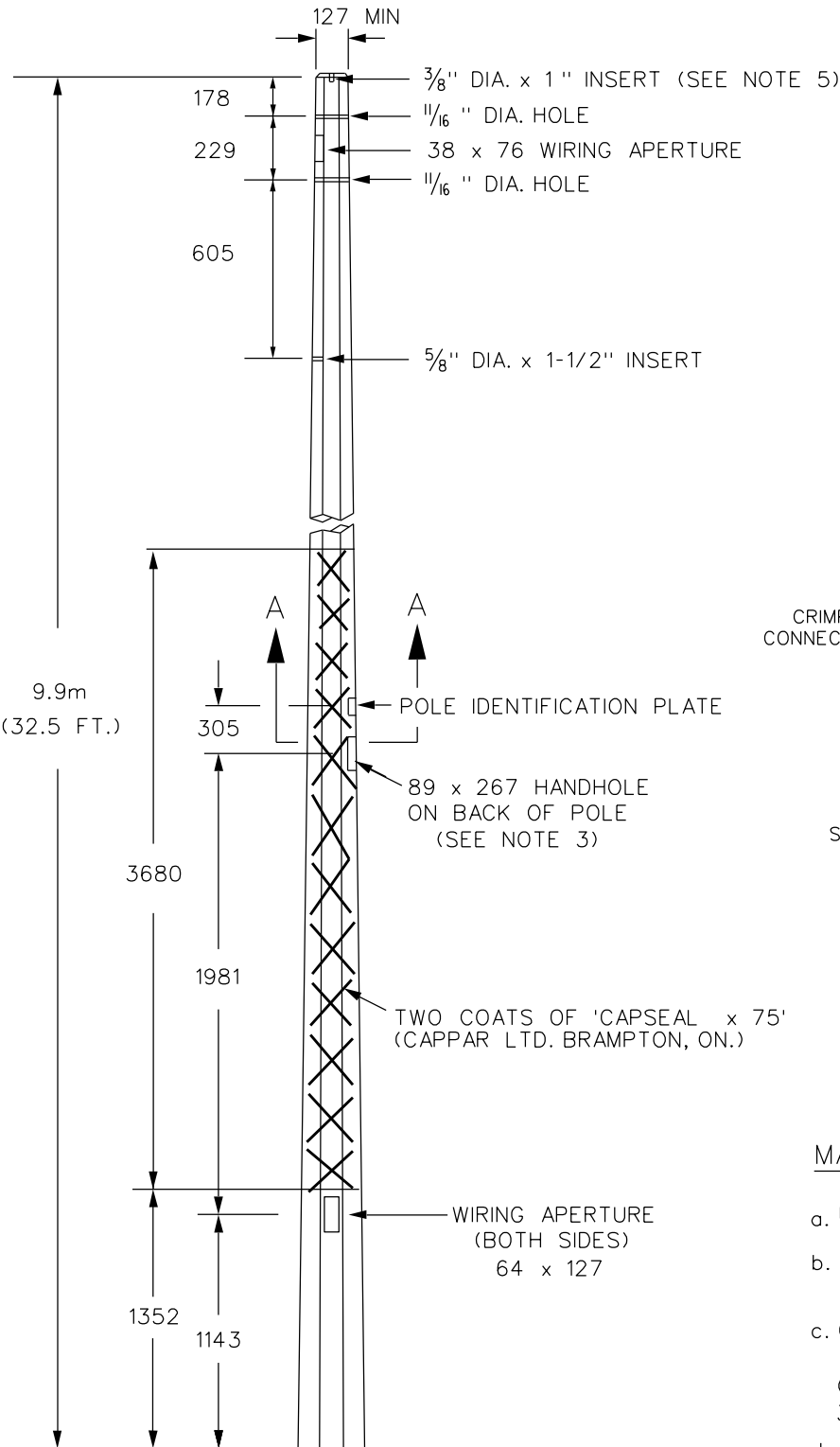
APPROVED:  
APRIL 2014

ORIGINAL:  
JUNE 2006

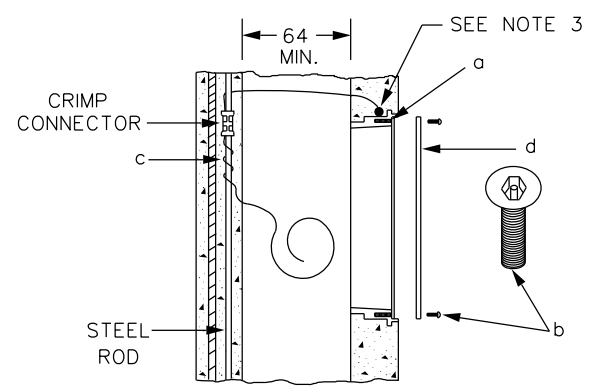
REV. 2

**515**

N.T.S



SECTION A-A



SECTION B-B

MATERIAL

- a. 1/4"-20x3/4" THREADED CORE.
- b. 1/4"-20x3/4" ALLEN KEY BUTTON PAN HEAD STAINLESS STEEL BOLT.
- c. GROUNDING LEAD - USE NO. 6 AWG MIN. STRANDED CU. WIRE, THREE TURNS, CRIMPED TO STEEL ROD. LEAD TO EXTEND 305mm OUTSIDE THE HANDHOLE.
- d. CAST METALLIC HANDHOLE FRAME AND COVER.

NOTE:

1. DIMENSIONS SHOWN ARE IN MILLIMETERS UNLESS OTHERWISE SPECIFIED.
2. POLE TO BE CONSTRUCTED AS PER CSA A14-00 OR LATEST REVISION
3. METALLIC HANDHOLE FRAME MUST BE ELECTRICALLY BONDED TO THE NO. 6 GROUND WIRE.
4. POLE SURFACE FINISH: "2SB" POLISHED SALUKIBROWN - USI  
"CBP" CARPATHIAN BRONZE POLISHED - SKYCAST  
"S90" POLISHED SALUKI BROWN - STRESSCRETE
5. TOP INSERT TO BE POSITIONED AT CENTER OF POLE.
6. CONTRACTOR TO APPLY ANTI-SEIZE TO HANDHOLE COVER BOLT



**DECORATIVE STREET LIGHT POLE**

C.S.A. CLASS 'B' 9.9m (32.5FT)  
OCTAGONAL CONCRETE

STREET LIGHT DETAILS - 500

APPROVED:  
MARCH  
2017

ORIGINAL:  
JUNE 2006

REV. 1

**516**

N.T.S



**BRAMPTON**  
Flower City

**DECORATIVE STREET  
LIGHT BRACKET**

(EXTRUDED BASE)

STREET LIGHT DETAILS - 500

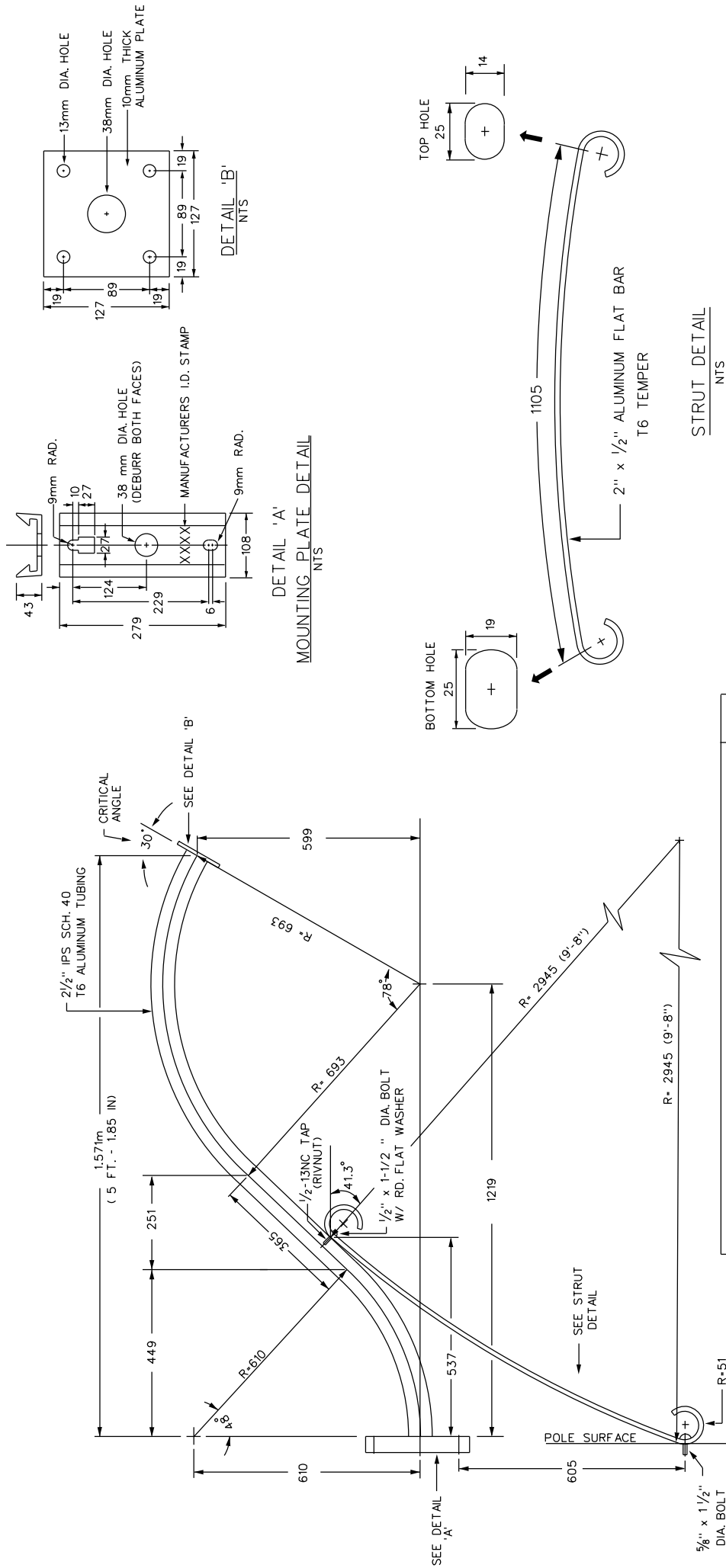
APPROVED:  
APRIL 2014

ORIGINAL:  
JUNE 2006

REV. 0

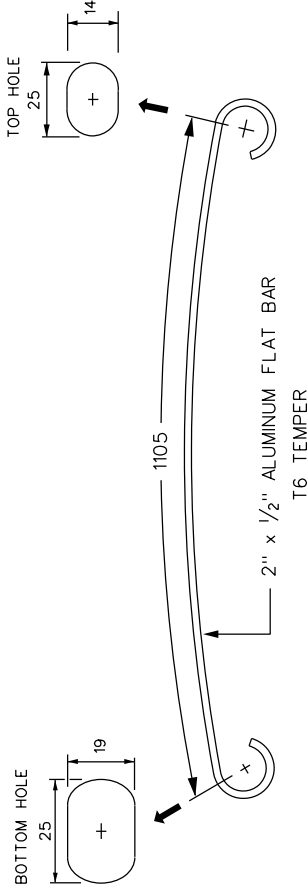
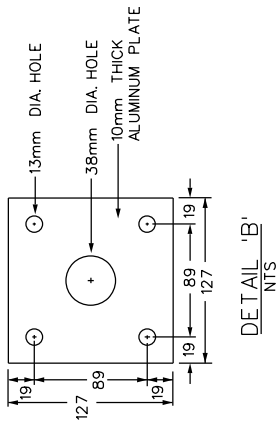
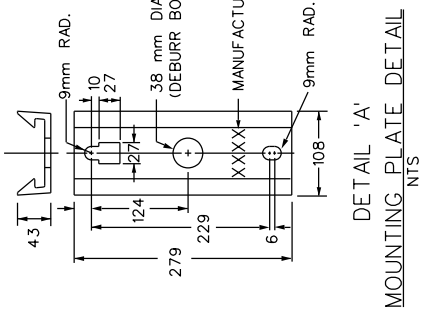
**517**

N.T.S



M	A	T	E	R	I	A	L	QTY							
5/8"	x	9"	GALVANIZED	MACHINE	BOLT	AND	NUT	WITH	ONLY	THE	BOLT	HEAD	FACTORY	PAINTED.	2
2"	x	2"	5/8"	GALV.	SQ.	FLAT	WASHER	1/8"	HOLE	AND	FACTORY	PAINTED	3		
5/8"	LOCK	WASHER	STAINLESS	STEEL	AND	FACTORY	PAINTED	2							
5/8"	x	1 1/2"	STAINLESS	STEEL	BOLT	AND	FACTORY	PAINTED	1						
1/2"	x	1-1/2"	STAINLESS	STEEL	BOLT	AND	FACTORY	PAINTED	1						
1/2"	ROUND	FLAT	WASHER,	STAINLESS	STEEL	AND	FACTORY	PAINTED	1						

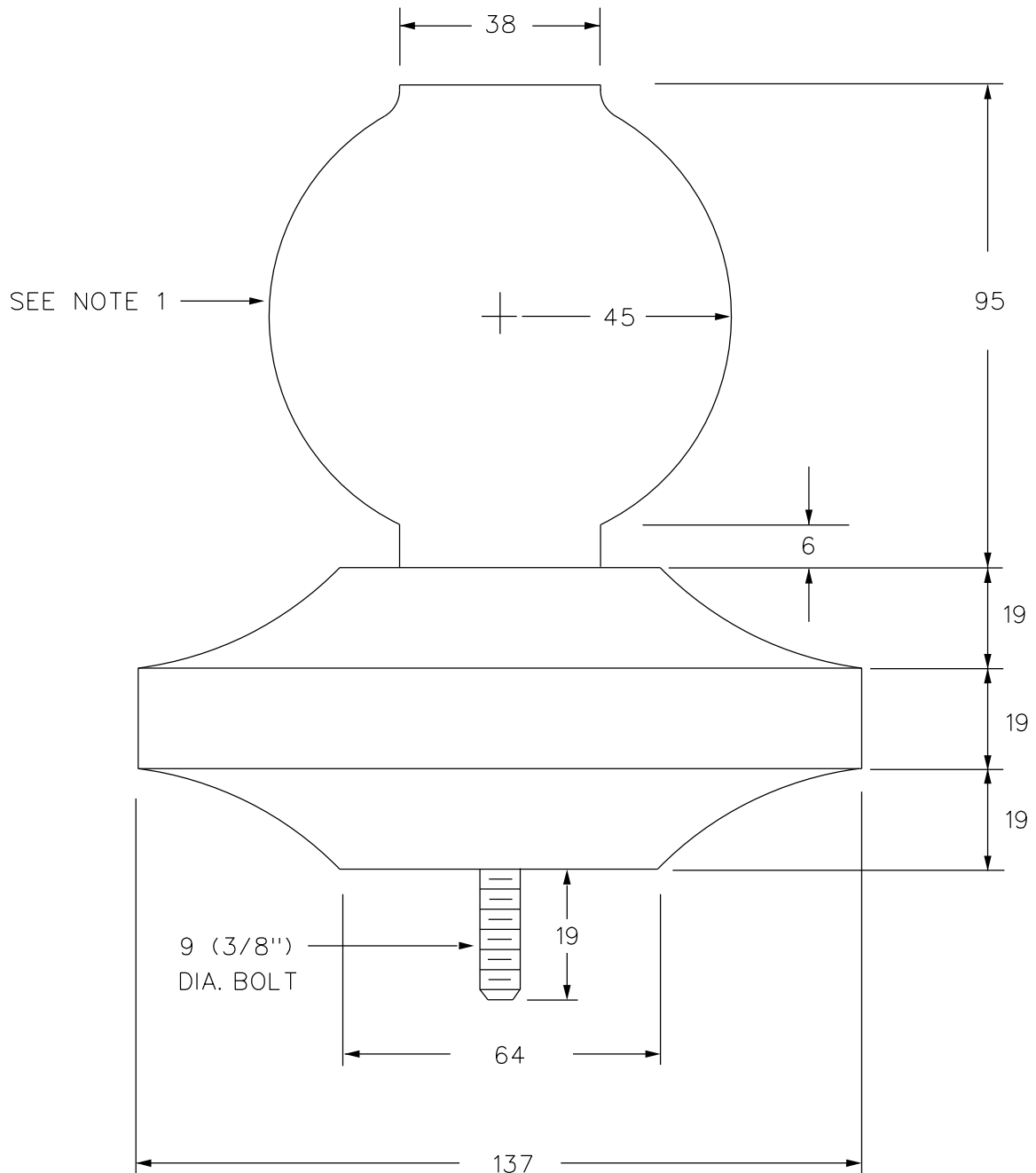
NOTE: ALL ASSOCIATED HARDWARE SHOULD BE PLACE IN A BAG AND TIED TO THE BASE OF EACH INDIVIDUAL BRACKET.



**NOTE:**

1. ALL DIMENSIONS ARE IN MILLIMETRES UNLESS OTHERWISE SPECIFIED.
2. STREET LIGHT BRACKET TO BE MADE OF ALUMINUM.
3. ALL ASSOCIATED BRACKET HARDWARE MUST BE FACTORY PAINTED TO MATCH BRACKET COLOUR.
4. BRACKET COLOUR TO BE SEMI-GLOSS SHIBUI BROWN NO. DCL 49-31 FROM DURACOAT POWDER MANUFACTURING INC. (15 IROQUIS TRAIL GRIMSBY, ONT. L3M 5E6 TEL. 905-945-0073).





NOTE :

1. COLOUR OF POLE CAP TO BE SEMI-GLOSS SHIBUI BROWN NO. DCL 49-31 FROM DURACOAT POWDER MANUFACTURING INC. (185 SOUTH SERVICE RD. WEST, GRIMSBY, ONT. L3M 4H6 TEL. 905-945-0073).
2. POLE CAP TO BE CONSTRUCTED FROM ALUMINUM.
3. ALL DIMENSIONS IN MILLIMETRES UNLESS OTHERWISE SPECIFIED.



**BRAMPTON**  
Flower City

**POLE CAP**

FOR OCTAGONAL STREET LIGHT POLE

STREET LIGHT DETAILS - 500

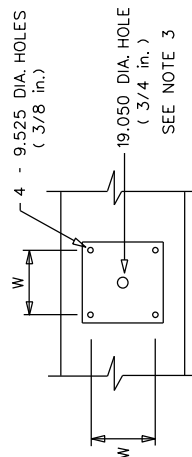
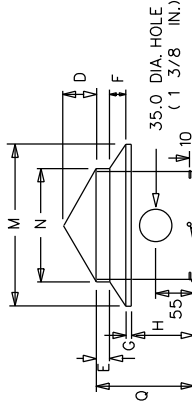
APPROVED:  
APRIL 2014

ORIGINAL:  
JUNE 2006

REV. 0

**518**

N.T.S



3 - 1/4 " x 3/4 " STAINLESS STEEL BOLT EVENLY SPACE SUITABLE FOR #2 ROBERTSON SCREW DRIVER

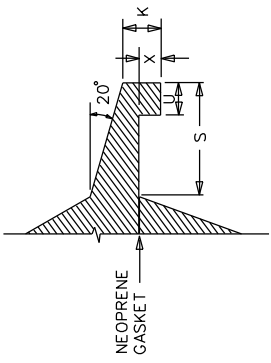
PHOTOCELL CAP DETAIL

A	500	F	15	L	375	S	25.40
B	450	G	5	M	140	T	29.50
C	250	H	75	N	104	U	10
D	25	J	180	P	102	W	88.90
E	10	K	10	Q	105	X	6
						Z	3.6

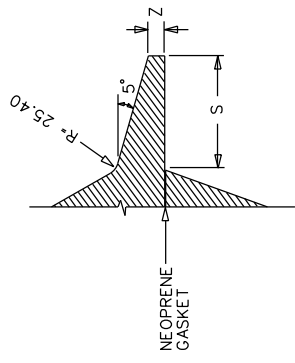
NOTES:

1. DIMENSIONS IN MILLIMETRES UNLESS OTHERWISE SPECIFIED.
2. COLOUR OF FIXTURE TO BE SEMI-GLOSS SHIBUI BROWN NO. DCL 49-31 FROM DURACOAT POWDER MANUFACTURING INC. (185 SOUTH SERVICE RD. WEST, GRIMSBY, ONT. L3M 4H6 TEL. 905-945-0073).
3. HOLES TO BE CENTERED IN THE REAR FACE OF THE UPPER HOUSING.
4. ONE PIECE WEATHER RESISTANT GASKET, 3mm THICKNESS.
5. HINGES TO BE MOUNTED SO THAT THE LOWER HOUSING OPENS TOWARD THE MOUNTING BRACKET.
6. LOCKING FEATURE TO BE 1/4 TURN.
7. PHOTOCELL PEDESTAL INTERFACE WITH THE TOP COVER MUST BE WATERTIGHT.
8. LUMINAIRE SHOULD BE PRE-WIRED WITH 11.0m (36 FT.) OF 3 - #12 AWG CU STRANDED RW90 600V (BWG) WIRE.
9. WEIGHT OF LUMINAIRE APPROXIMATELY 40 LBS.

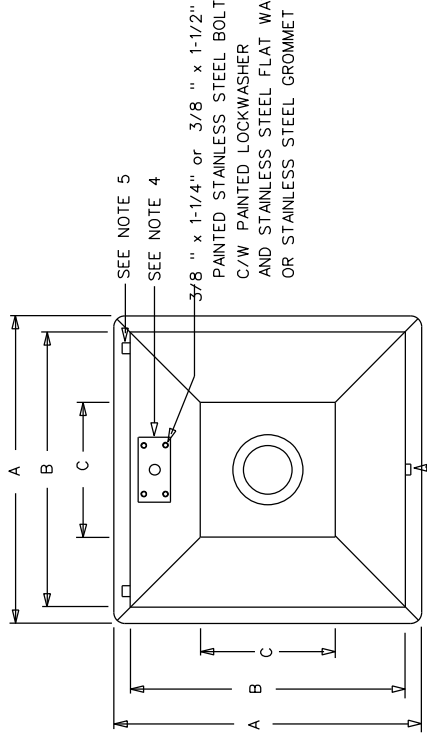
DETAIL 'A'



DETAIL 'C'

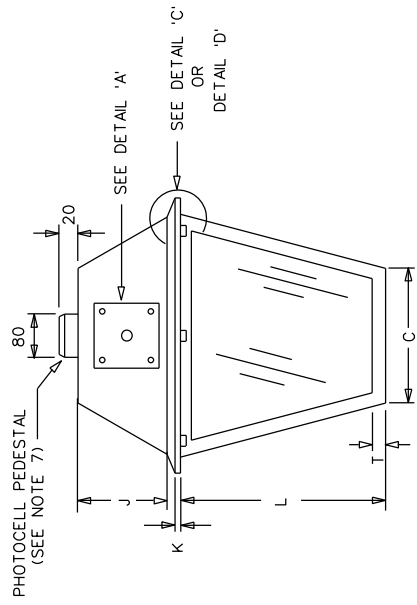


DETAIL 'D'



SEE NOTE 6

TOP VIEW



FRONT VIEW



**BRAMPTON**  
Flower City

H.P.S.  
DECORATIVE STREET  
LIGHT LUMINAIRE

STREET LIGHT DETAILS - 500

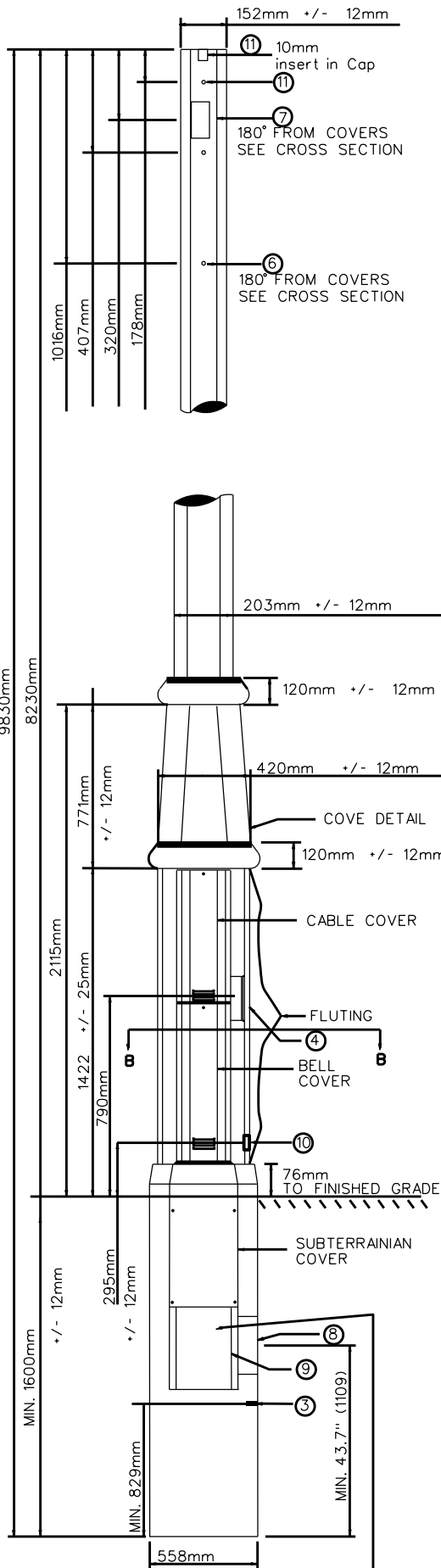
APPROVED:  
APRIL 2014

ORIGINAL:  
JUNE 2006

REV. 0

**519**

N.T.S



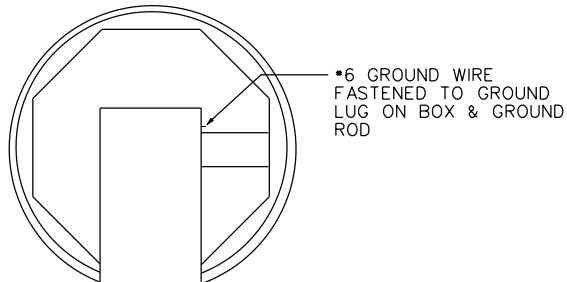
Protective Membrane  
eg. half of a sono tube (24")  
over cable and wire entrance  
to prevent dirt and debris entering

**POLE SPECIFICATIONS**

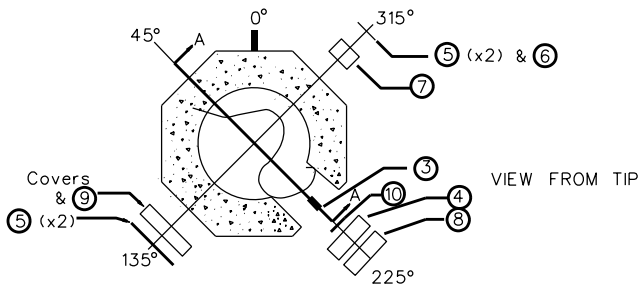
SHAPE: OCTAGONAL  
 TOP: BALL  
 INSTALLATION: DIRECT EMBEDMENT  
 FINISH: ETCHED  
 COLOUR: APPROVED BY CITY OF BRAMPTON - SALUKI BRONZE OR EQUIVALENT  
 COATING: CAPPAR ACRYLIC OR APPROVED EQUIVALENT  
 MINIMUM DIAMETER OF RACEWAY: 38.1mm  
 AGGREGATE: FINE AGGREGATE (NATURAL SAND)  
 COURSE AGGREGATE - NOMINAL SIZE = 14mm, CRUSHED  
 PIGMENT AS REQUIRED

DESIGN COVE DETAIL AND FLUTING TO BE INCORPORATED AND APPROVED BY THE CITY OF BRAMPTON

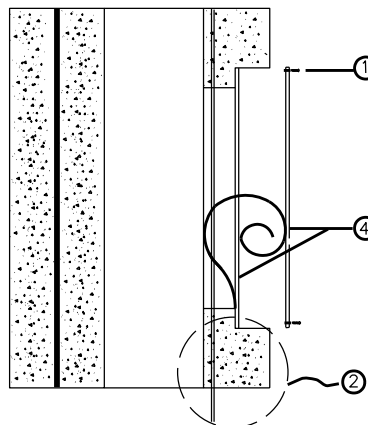
SECTION B-B



VIEW FROM TIP



SECTION A-A



**NOTES:**

1. Dimensions shown are in feet and inches (millimeters) from tip unless otherwise specified.
2. Poles constructed to CSA A14 (latest revision) for spun prestressed reinforced concrete poles.
3. Approximate Mass: 2000 kg

**BILL OF MATERIALS**

I.D.	DESCRIPTION
1.	1/4" - 20 x 19mm TAMPER PROOF ALLEN KEY BUTTON PAN HEAD STAINLESS STEEL BOLTS C/W ANTI-SEIZE COMPOUND
2.	GROUNDED LEAD - NO. 6 AWG STRANDED COPPER WIRE CONNECTED TO HANDHOLE BOX AND GROUND ROD. LEAD TO BE EXTENDED 300mm OUTSIDE HANDHOLE.
3.	EMBEDDED GROUNDING CONNECTOR ATTACHED TO GROUND ROD WITH NO. 6 AWG STRANDED COPPER WIRE.
4.	STAINLESS STEEL HANDHOLE BOX 14mm x 368mm C/W BREAKER MOUNTS & ALUMINUM COVER (BRONZE)
5.	19MM DIAMETER FORMED THROUGH HOLES
6.	16MM DIAMETER INSERT.
7.	38mm x 76mm WIRING APERTURE.
8.	102mm x 267mm WIRING APERTURE
9.	CABLE AND WIRE ENTRANCE OPENING.
10.	MANUFACTURERS IDENTIFICATION PLATE c/w CSA INSIGNIA
11.	INSERT IN CAP



**BRAMPTON**  
Flower City

COMMUNICATION  
STREET LIGHT POLE  
9.8m (32.5FT) CLASS B

SPECIFICATIONS

STREET LIGHT DETAILS - 500

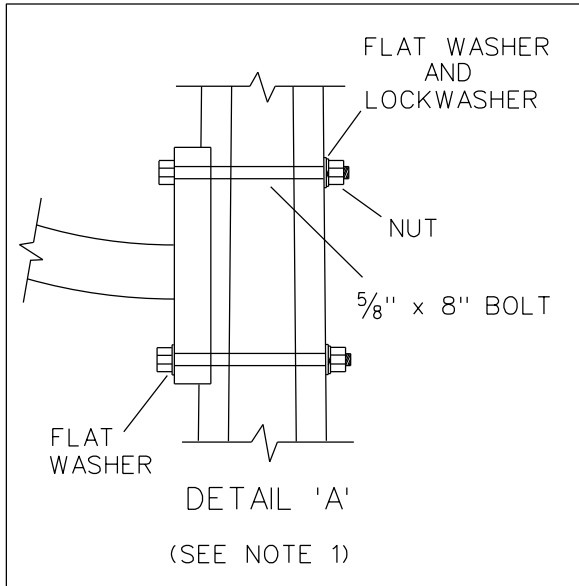
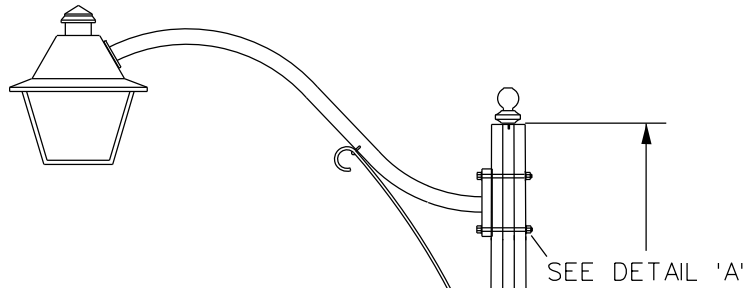
APPROVED:  
MARCH  
2017

ORIGINAL:  
JUNE 2006

REV. 2

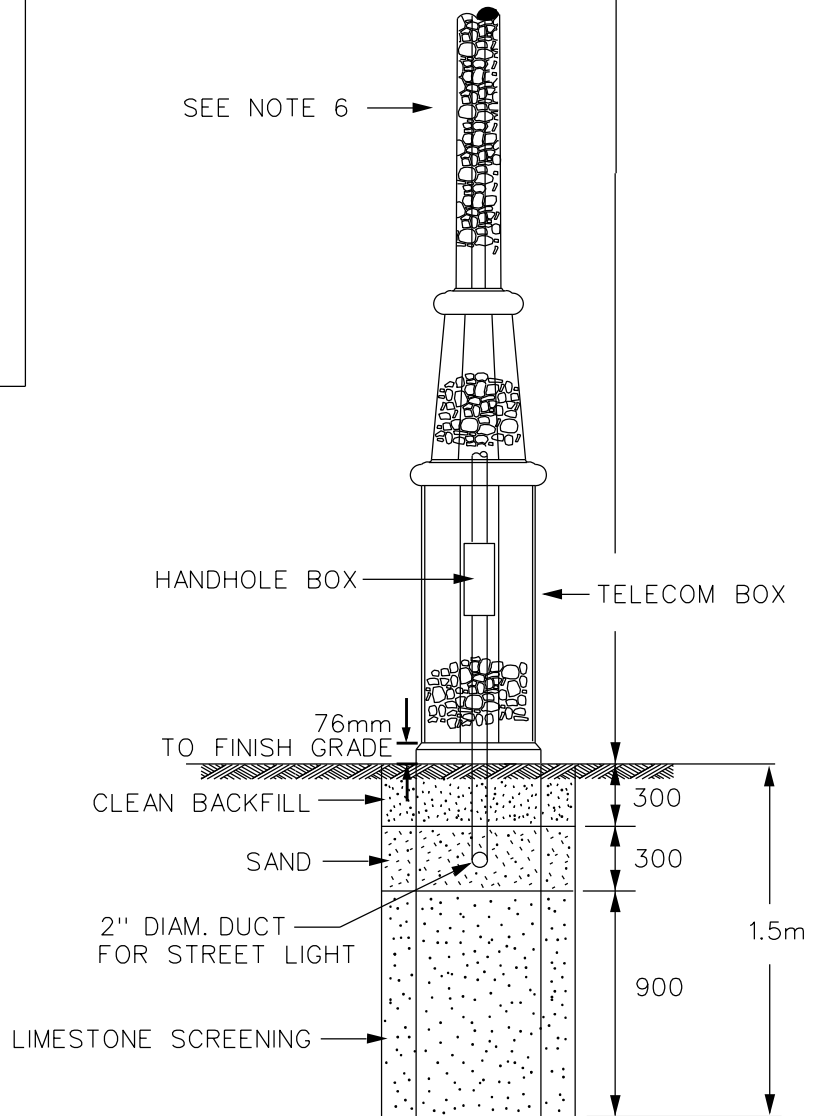
**520**

N.T.S



SEE NOTE 6

ROADWAY



NOTE:

1. FOR HANDHOLE CONNECTIONS SEE CITY STANDARD 506
  2. TELECOM BOX SHOULD BE FACING THE PROPERTY.
  3. REFER TO CITY STANDARD 518 FOR POLE CAP
  4. FINISH - E90 (ETCHED SALUKI BROWN), STRESSCRETE  
- CBE (CARPATHIAN BRONZE, ETCHED), SKYCAST
  5. REFER TO CITY STANDARD 519 FOR LUMINAIRE
  6. POLE NUMBER ID PLATE TO BE INSTALLED 3000mm FROM GRADE FACING ROADWAY
- ALL DIMENSIONS IN mm UNLESS OTHERWISE NOTED



**BRAMPTON**  
Flower City

COMMUNICATION  
STREET LIGHT POLE

INSTALLATION  
STREET LIGHT DETAILS - 500

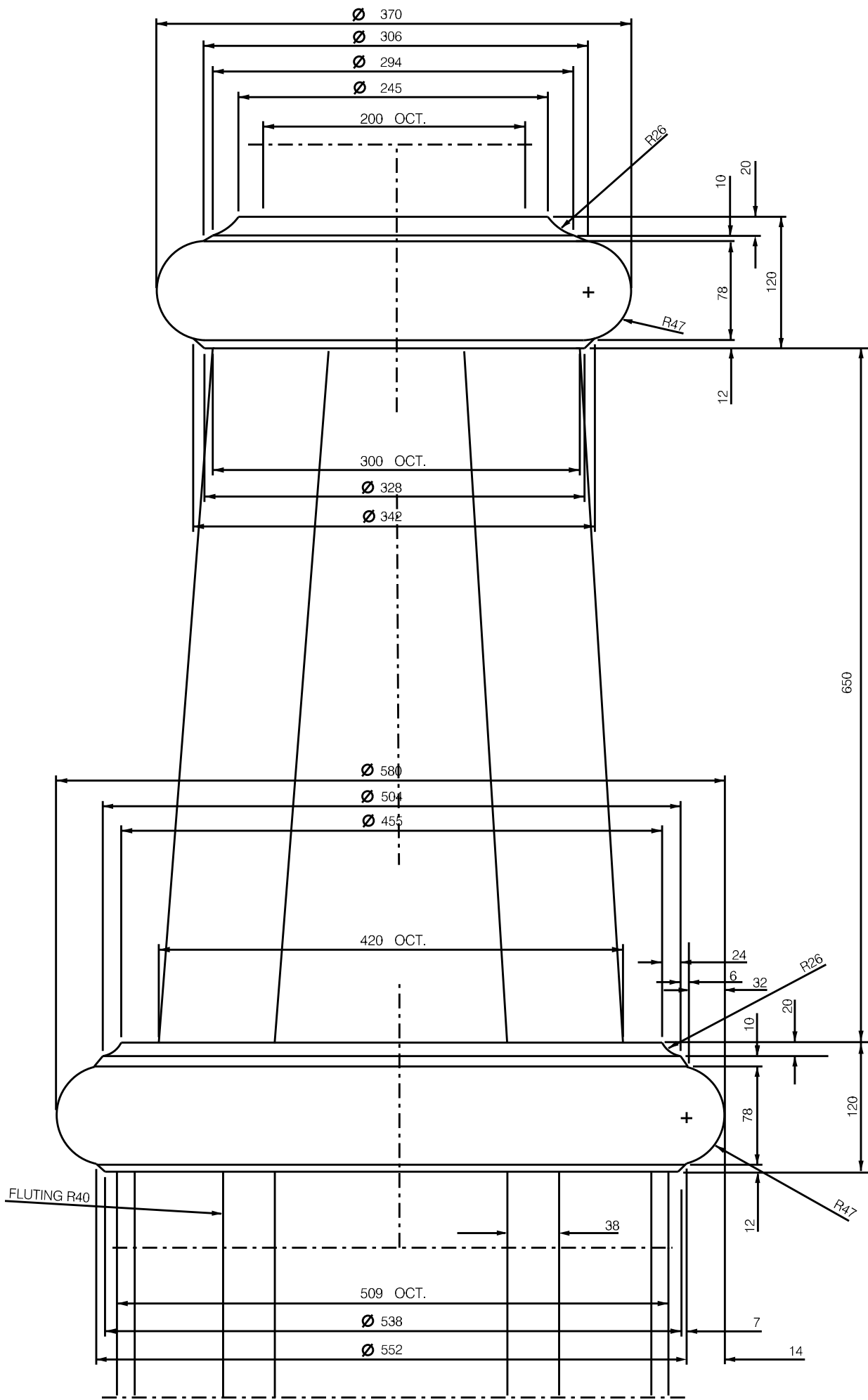
APPROVED:  
APRIL 2014

ORIGINAL:  
JUNE 2006

REV. 1

**521**

N.T.S



NOTE: DIMENSIONS ARE IN MILLIMETERS



**BRAMPTON**  
Flower City

**COVE & FLUTING  
DETAILS**

COMMUNICATION STREET POLE  
STREET LIGHT DETAILS - 500

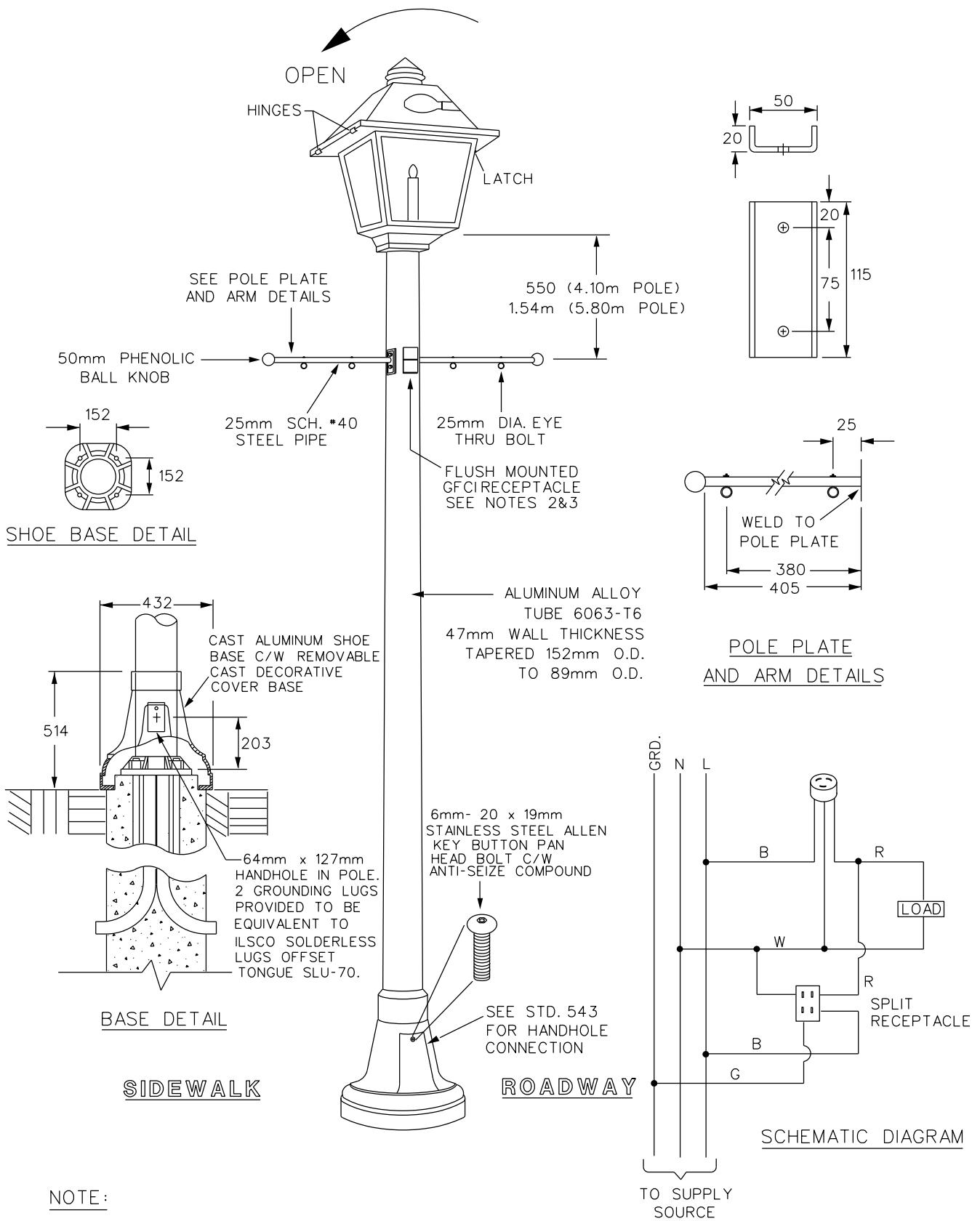
APPROVED:  
APRIL 2014

ORIGINAL:  
JUNE 2006

REV. 0

**522**

N.T.S



NOTE:

1. PROVIDE MINIMUM 10 FEET OF 4-\*12 (BLACK, RED, WHITE, GREEN) WIRE FROM PHOTO CONTROL TO SPLIT DUPLEX RECEPTACLE AND 3x20 FT. #12 AWG COPPER STRANDED LEADS (BWG) 600V RW90.
  2. LEVITON T7599 GFCI TO BE USED
  3. REFER TO STD. 525 FOR POLE ANCHOR INSTALLATION DETAILS.
- ALL DIMENSIONS IN mm UNLESS OTHERWISE NOTED



**BRAMPTON**  
Flower City

**4.3m DOWNTOWN STREET LIGHT**

STREET LIGHT DETAILS - 500

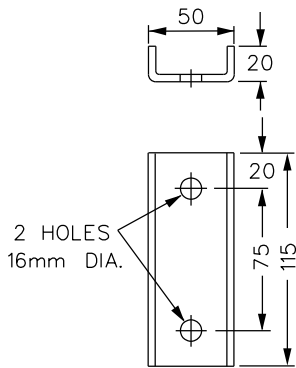
APPROVED:  
MARCH  
2017

ORIGINAL:  
JUNE 2006

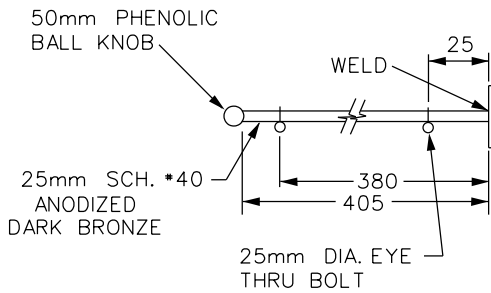
REV. 2

**523**

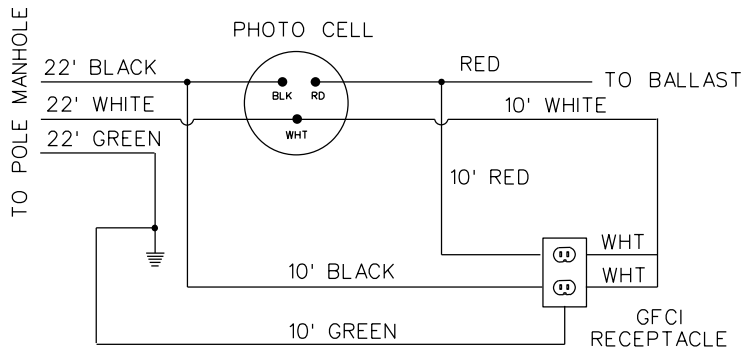
N.T.S



ALUMINUM ALLOY TUBE 6063-T6  
TAPERED 152mm O.D.  
TO 89mm O.D.  
(ANODIZED DARK BRONZE COLOUR)



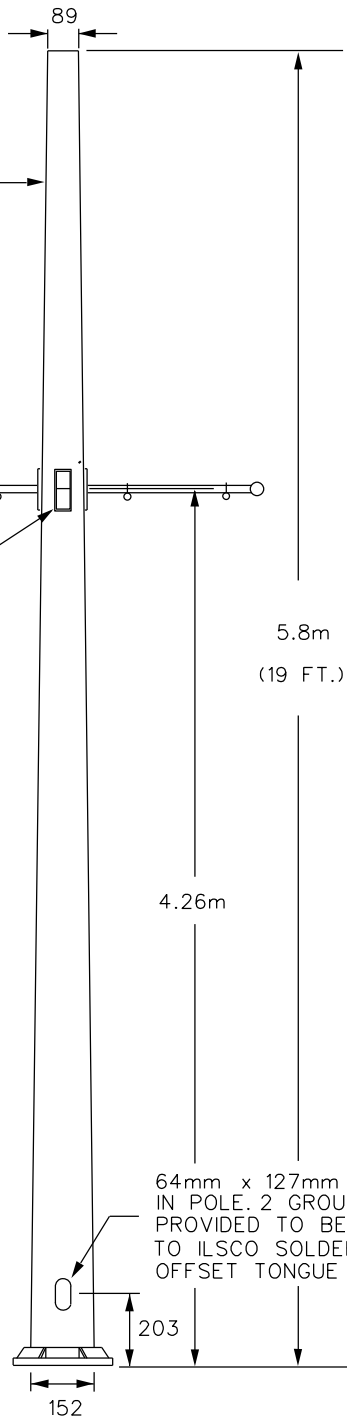
POLE PLATE AND ARM DETAILS



SCHEMATIC DIAGRAM

NOTE:

1. PROVIDE MINIMUM LENGTH OF 4 CONDUCTOR WIRE (BLACK, RED, WHITE, GREEN) FROM PHOTO CONTROL TO GFCI RECEPTACLE AS PER SCHEMATIC DIAGRAM.
  2. LEVITON T7599 GFCI TO BE USED
  3. WEATHERPROOF FLUSH MOUNTED COLOUR MATCHED RECEPTICAL COVER TO BE USED
- ALL DIEMSNIONS IN mm UNLESS OTHERWISE NOTED



**BRAMPTON**  
Flower City

5.8m DOWNTOWN STREET LIGHT POLE

STREET LIGHT DETAILS - 500

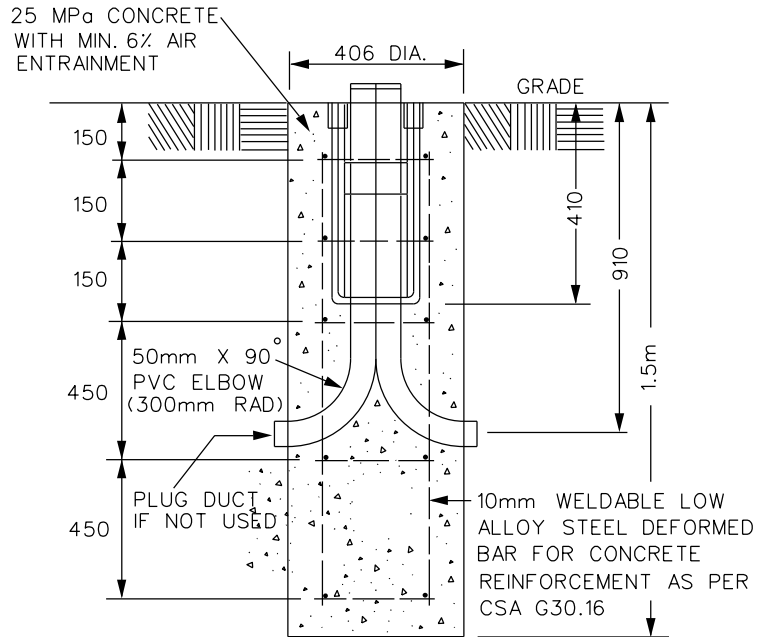
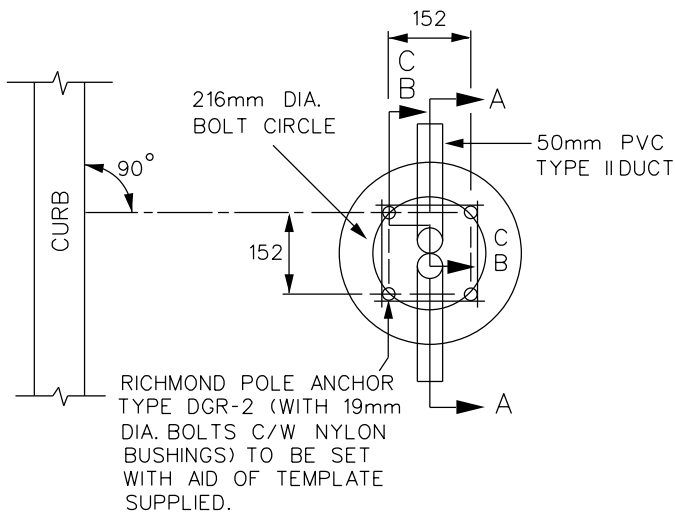
APPROVED:  
APRIL 2014

ORIGINAL:  
JUNE 2006

REV. 2

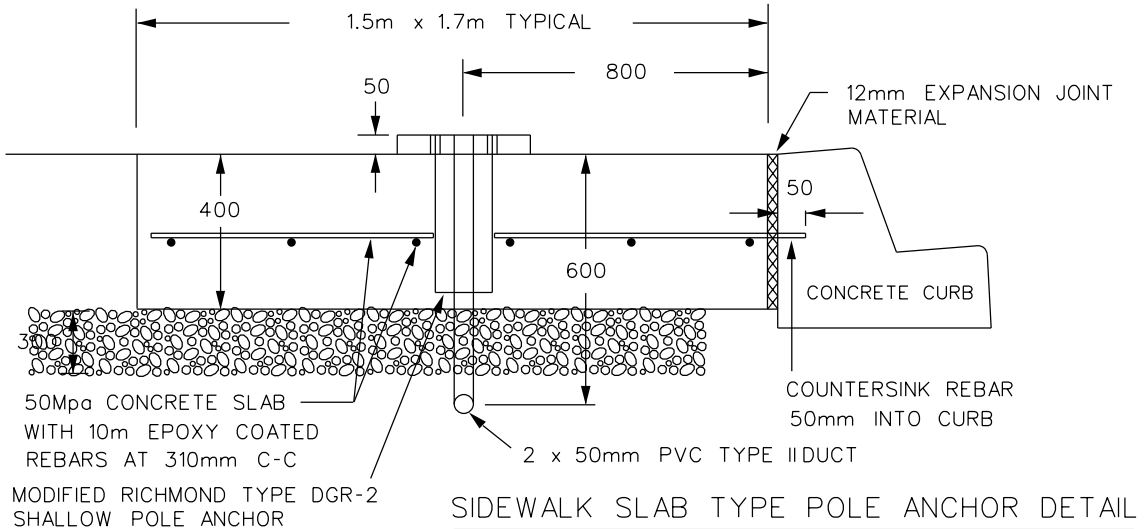
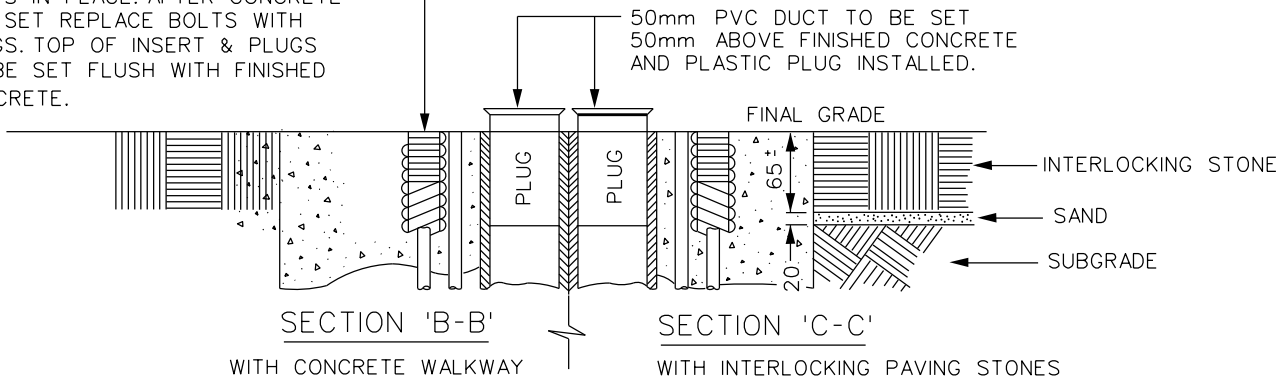
**524**

N.T.S



SECTION 'A-A'

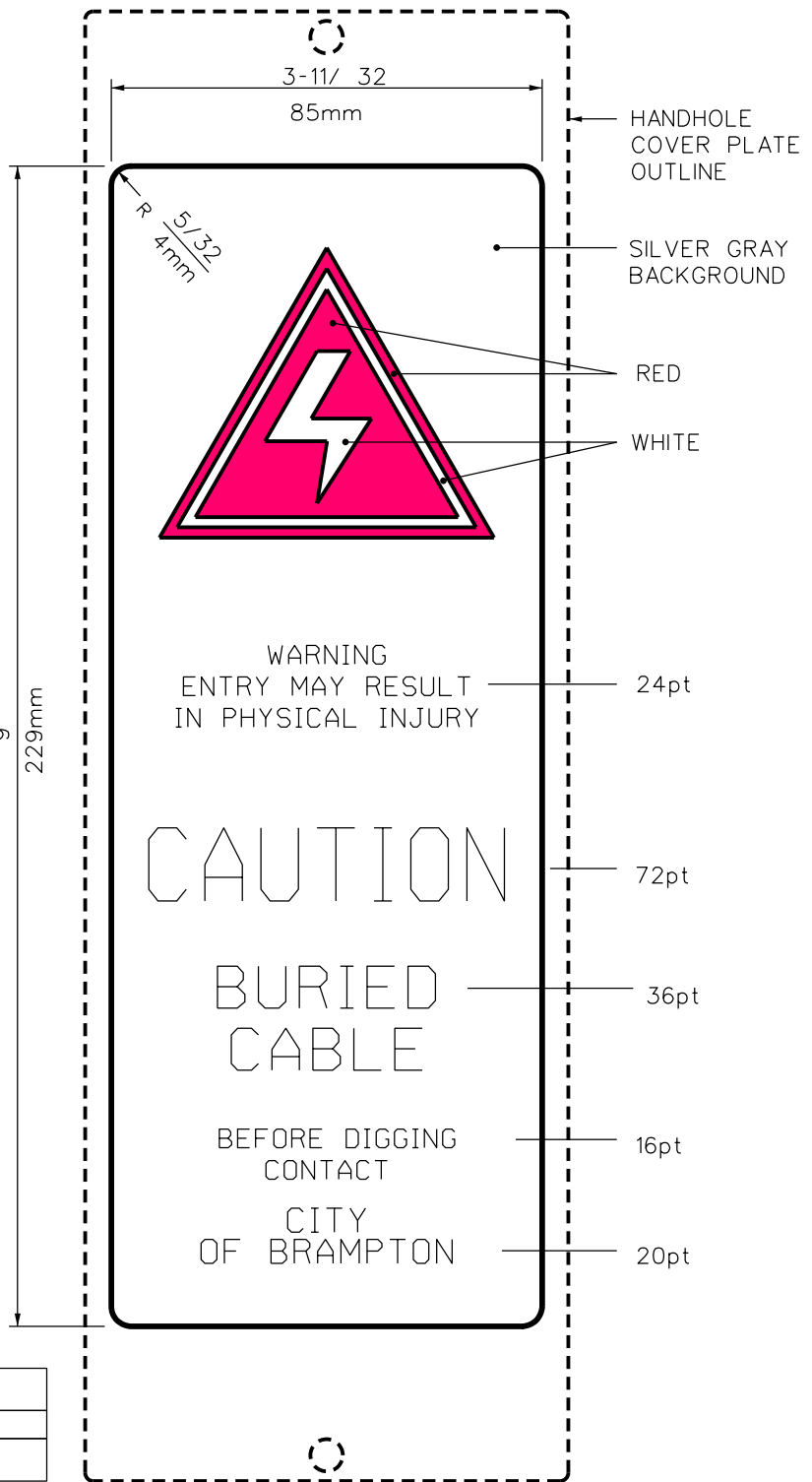
INSTALL POLE BASE INSERT WITH BOLTS IN PLACE. AFTER CONCRETE HAS SET REPLACE BOLTS WITH PLUGS. TOP OF INSERT & PLUGS TO BE SET FLUSH WITH FINISHED CONCRETE.



NOTE:

1. FORM BASE WITH SONO TUBE FLUSH WITH GRADE. SEE SECTIONS B-B AND C-C FOR SPECIFIC FINAL GRADE.
2. SONO TUBE TO BE PEELED OFF 150mm FROM TOP AFTER CONCRETE HARDENS.
3. TOP OF FOUNDATION TO BE LEVEL AND SMOOTH.
4. REFER TO STANDARD 524 AND STANDARD 523 FOR POLE INSTALLATION.





NOTES:

1. ALL WRITTEN INFORMATION SHALL BE IN BLACK AND OF THE SIZE AND TYPE SHOWN.
2. DECAL TO BE MANUFACTURED ACCORDING TO SAMPLE SUBMITTED AND APPROVED.

BILL OF MATERIALS (REF. STORES & MATERIAL CATALOGUE)		
PART No.	QTY	DESCRIPTION
99386	1	DECAL, COLOURED, "WARNING..."



**BRAMPTON**  
Flower City

WARNING DECAL  
FOR CONCRETE  
POLE COVER PLATE

APPROVED:  
APRIL 2014

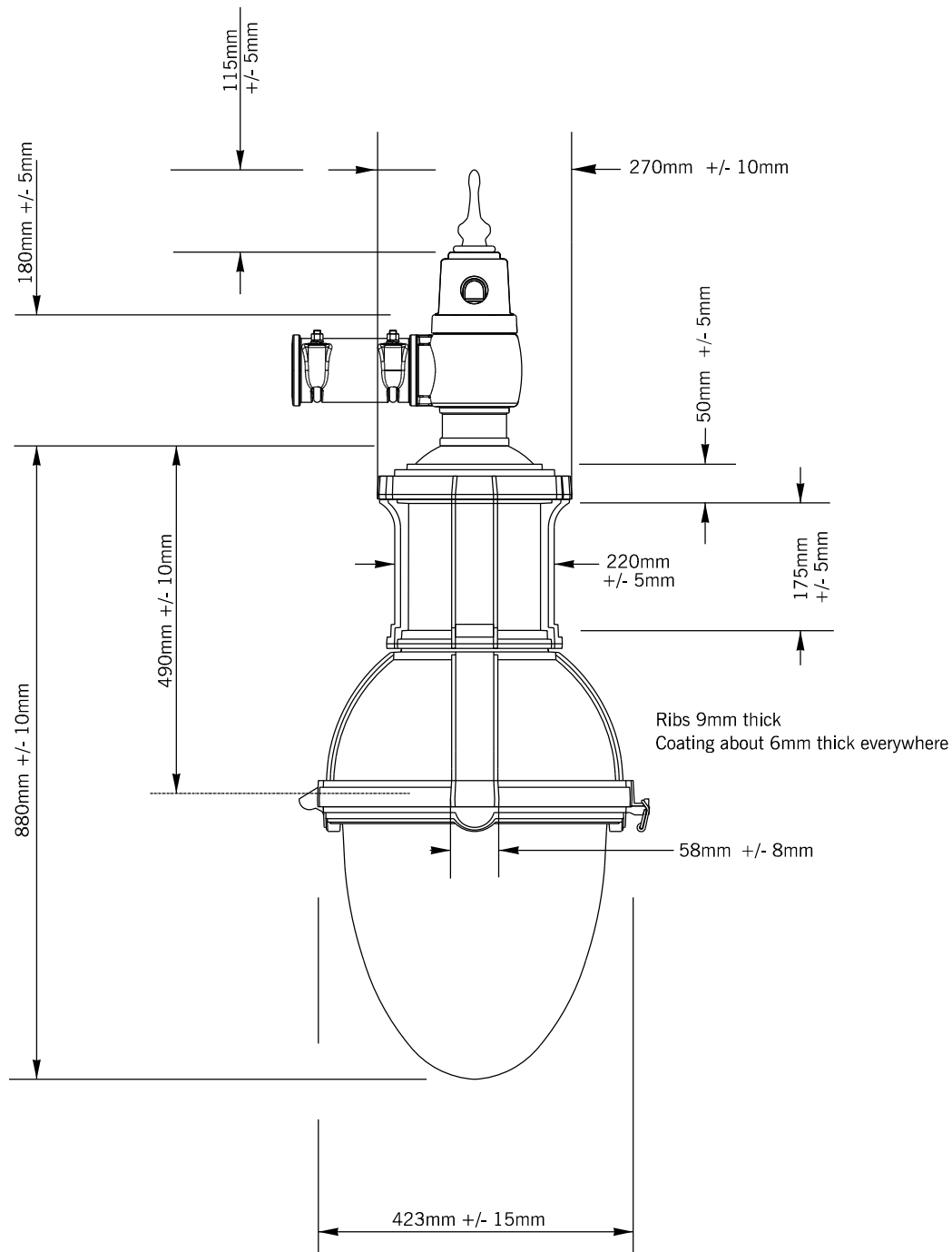
REV. 0

**526**

STREET LIGHT DETAILS - 500

ORIGINAL:  
JUNE 2006

N.T.S



REFER TO STANDARD # 528 FOR BRACKET STANDARD  
 REFER TO STANDARD # 520 FOR COMMUNICATION POLE STANDARD

## NOTE

1. WITH TWISTLOCK TYPE PHOTOELECTRIC CELL AND SPUN ALUMINUM RECEPTACLE.
2. TO BE OF ALUMINUM CAST MATERIAL, COMPLETE WITH 120/240V BALLAST, CONNECTED TO 120V (CWI)
3. HARDWARE: ALL EXPOSED SCREWS WILL BE STAINLESS STEEL. ALL SEALS AND SEALING DEVICES ARE MADE AND/OR LINED WITH EPDM AND/OR SILICONE.
4. FINISH: COLOUR TO BE BLACK TEXTURED SEMI-GLOSS (55%). APPLICATION OF A POLYESTER POWDER COAT PAINT.



**BRAMPTON**  
 Flower City

COMMUNICATION  
 POLE LUMINAIRE

STREET LIGHT DETAILS - 500

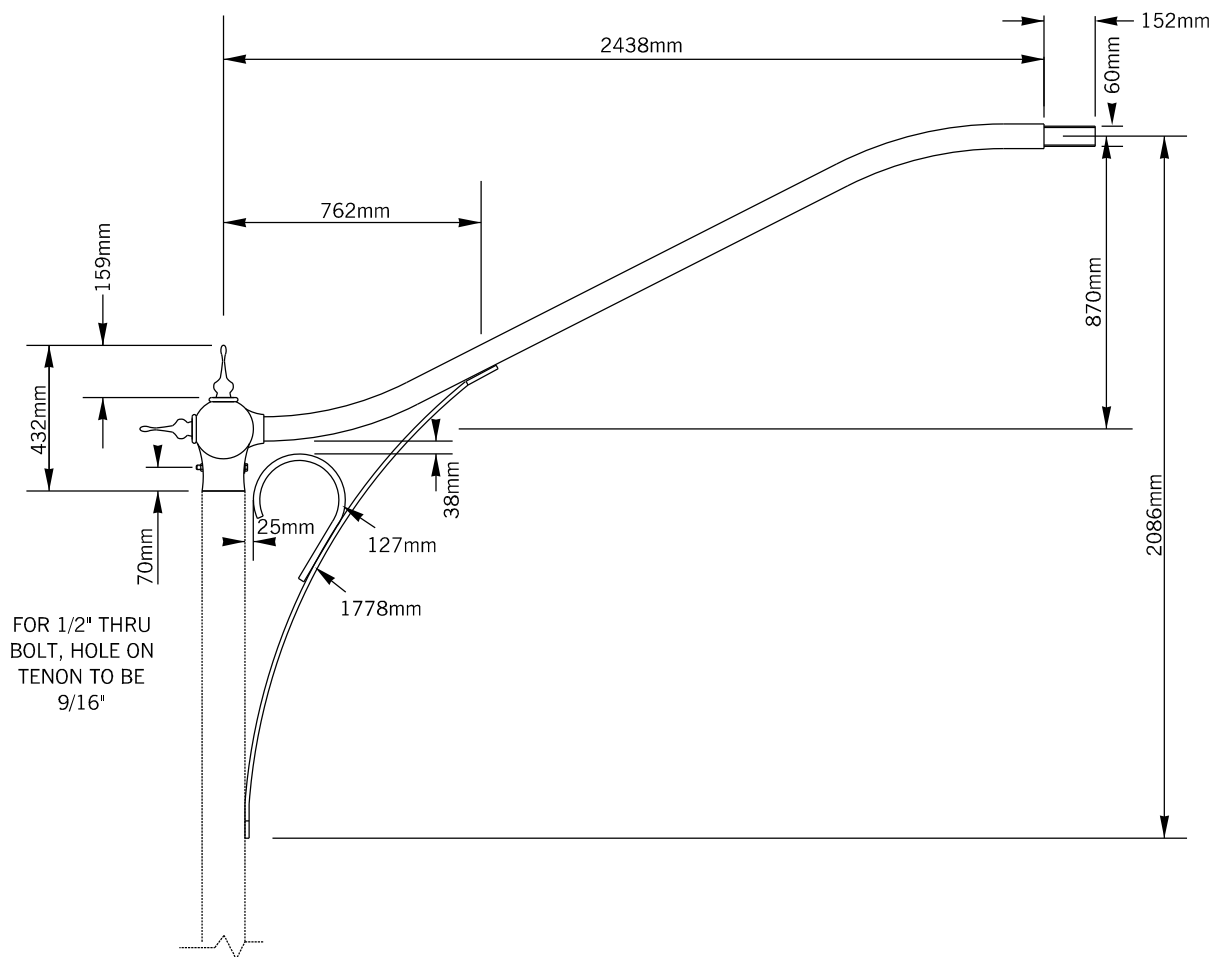
APPROVED:  
 APRIL 2014

ORIGINAL:  
 JUNE 2006

REV. 0

**527**

N.T.S



REFER TO STANDARD # 527 FOR LUMINAIRE STANDARD  
 REFER TO STANDARD # 520 FOR COMMUNICATIONS STANDARD

### NOTE

1. ARM: SHALL BE MADE FROM BENT 6061 T6 ALUMINUM TUBING, 2<sup>7</sup>/<sub>8</sub>" (73mm) OUTSIDE DIAMETER, WELDED TO THE ADAPTOR. COMPLETE WITH 2<sup>3</sup>/<sub>8</sub>" (60mm) OUTSIDE DIAMETER, 6" (152mm) LONG TENON.
2. DECORATIVE ELEMENT: BENT ALUMINUM DECORATIVE CHANNEL SCROLL MECHANICALLY FASTENED TO BENT ALUMINUM FLAT BAR. FLAT BAR COMPLETE WITH TWO OBLONG HOLES FOR MECHANICAL FASTENING TO ARM AND POLE.
3. ADAPTOR: MADE OF CAST 356-T6 ALUMINUM, WELDED TO THE ARM, AND FASTENED MECHANICALLY TO THE POLE WITH ONE 1/2" (13mm) THRU-BOLT. COMPLETE WITH TWO CAST ALUMINUM FINIALS, FASTENED MECHANICALLY. TO BE INSTALLED ON A 3<sup>1</sup>/<sub>2</sub>" (89mm) OUTSIDE DIAMETER BY 5<sup>1</sup>/<sub>4</sub>" (133mm) LONG TENON.
4. FINISH: COLOUR TO BE BLACK TEXTURED SEMI-GLOSS (55%). APPLICATION OF A POLYESTER POWDER COAT PAINT



**BRAMPTON**  
 Flower City

COMMUNICATION  
 POLE BRACKET

APPROVED:  
 APRIL 2014

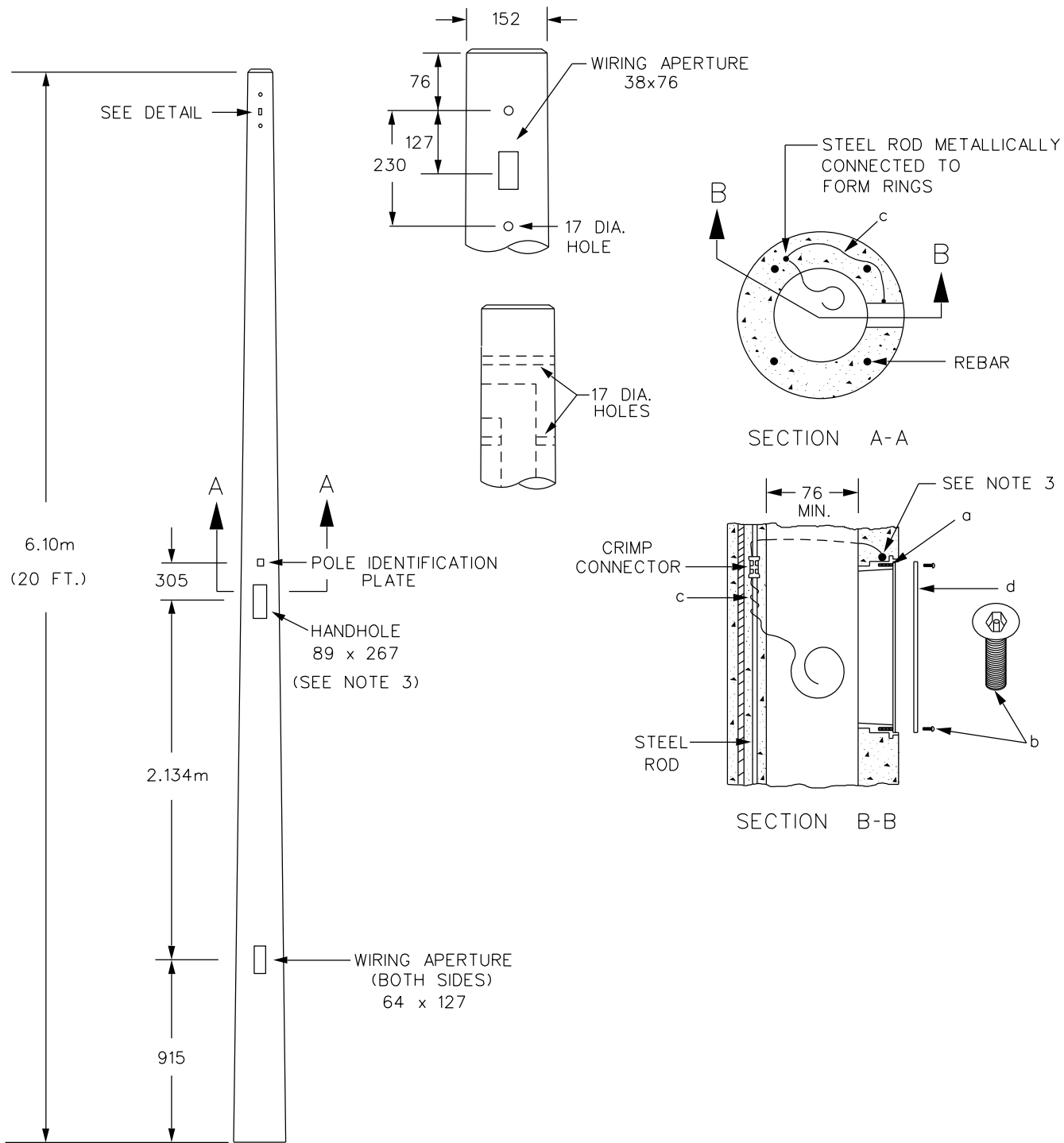
REV. 0

**528**

STREET LIGHT DETAILS - 500

ORIGINAL:  
 JUNE 2006

N.T.S



**NOTE:**

1. DIMENSIONS SHOWN ARE IN MILLIMETERS UNLESS OTHERWISE SPECIFIED.
2. POLE TO BE CONSTRUCTED AS PER CSA A14-M (LATEST REVISION) AND AS PER THE UECC-3 (APRIL 1996 REVISION) SPECIFICATION FOR SPUN REINFORCED CONCRETE POLE.
3. METALLIC HANDHOLE FRAME MUST BE ELECTRICALLY BONDED TO THE NO. 6 GROUND WIRE.

**MATERIAL**

- a. 1/4"-20x3/4" THREADED CORE.
- b. 1/4"-20x3/4" ALLEN KEY BUTTON PAN HEAD STAINLESS STEEL BOLT C/W ANTI-SEIZE COMPOUND.
- c. GROUNDING LEAD - USE NO. 6 AWG MIN. STRANDED CU. WIRE, THREE TURNS, CRIMPED TO STEEL ROD. LEAD TO EXTEND 305mm OUTSIDE THE HANDHOLE.
- d. CAST METALLIC HANDHOLE FRAME AND COVER. WEIGHT: 387 KG. (853 LBS.)



**BRAMPTON**  
Flower City

**POLE LIGHT POLE**

C.S.A. CLASS 'A' 20 FOOT  
ROUND PRE-STRESS CONCRETE

STREET LIGHT DETAILS - 500

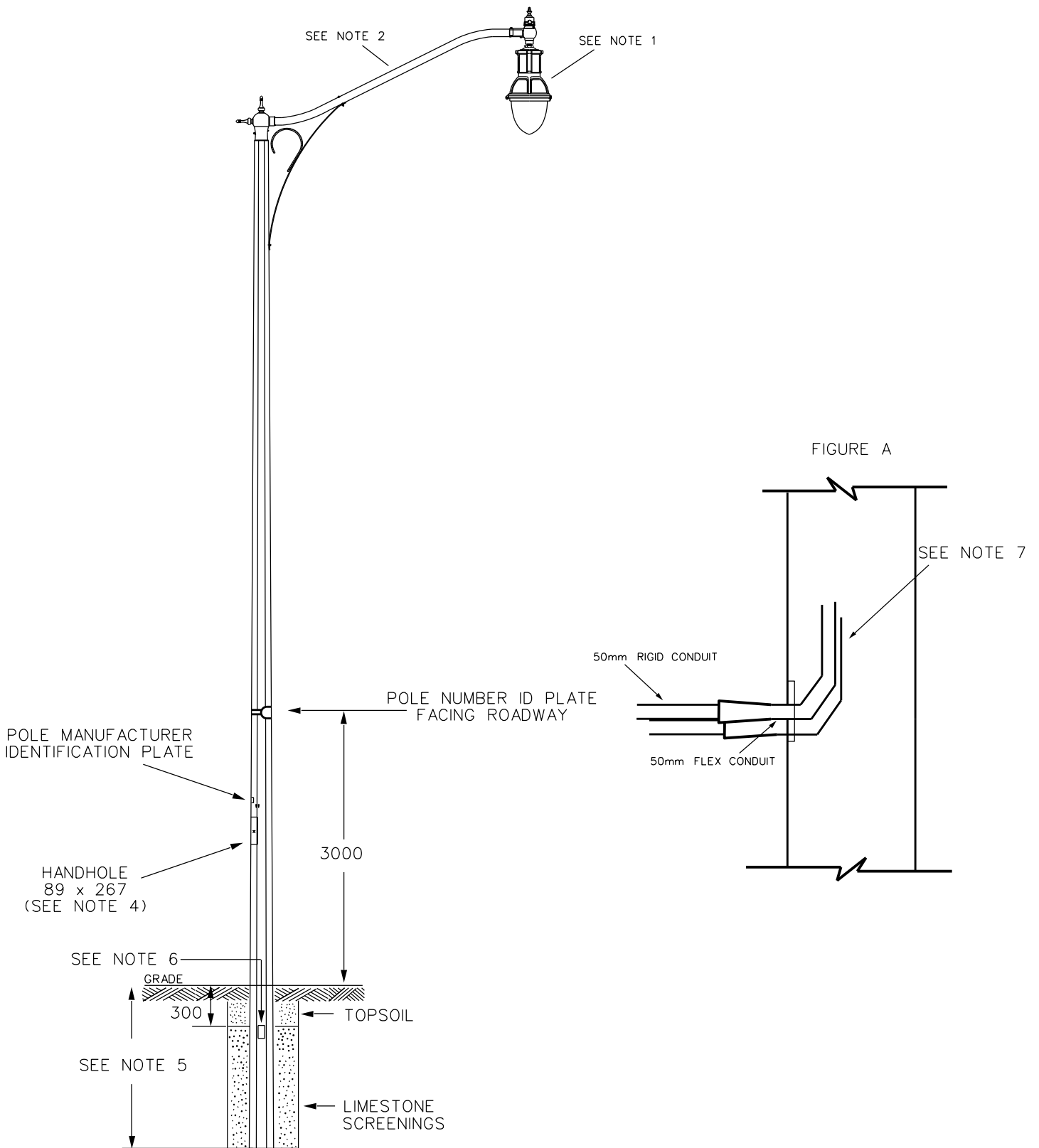
APPROVED:  
MARCH  
2017

ORIGINAL:  
JUNE 2006

REV. 1

**529**

N.T.S



NOTES:

1. FOR LUMINAIRE DETAILS REFER TO CITY STANDARD DRAWING #527.
2. FOR POLE BRACKET DETAIL REFER TO CITY STANDARD DRAWING #528.
3. FOR POLE DETAIL REFER TO CITY STANDARD DRAWING #531 AND #532
4. METALLIC HANDHOLE FRAME MUST BE ELECTRICALLY BONDED TO THE #6 GROUND WIRE. C/W TAMPERPROOF SCREWS AND ANTI-SEIZE COMPOUND
5. INSTALLATION DEPTH IS 10% OF POLE HEIGHT PLUS 610mm
6. 50mm FLEXIBLE PVC CONDUIT TO PROTECT CABLE AT POLE APERTURE MINIMUM 60mm OF FLEX CONDUIT TO BE FED INTO POLE SEE FIGURE A

ALL DIMENSIONS IN mm UNLESS OTHERWISE NOTED



**BRAMPTON**  
Flower City

**DECROATIVE POLE  
INSTALLATION**

9.9m & 12.2m TYPICAL INSTALLATION  
ON TENON MOUNT CONCRETE POLE

STREET LIGHT DETAILS - 500

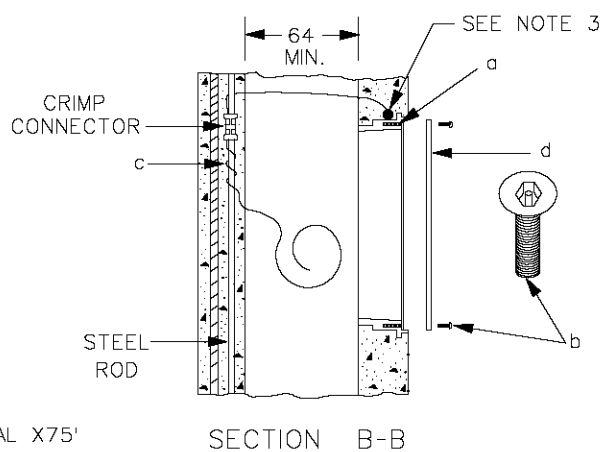
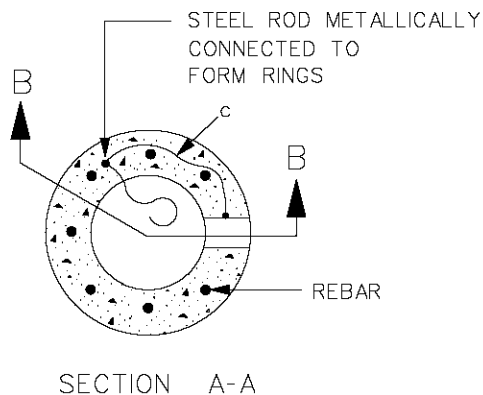
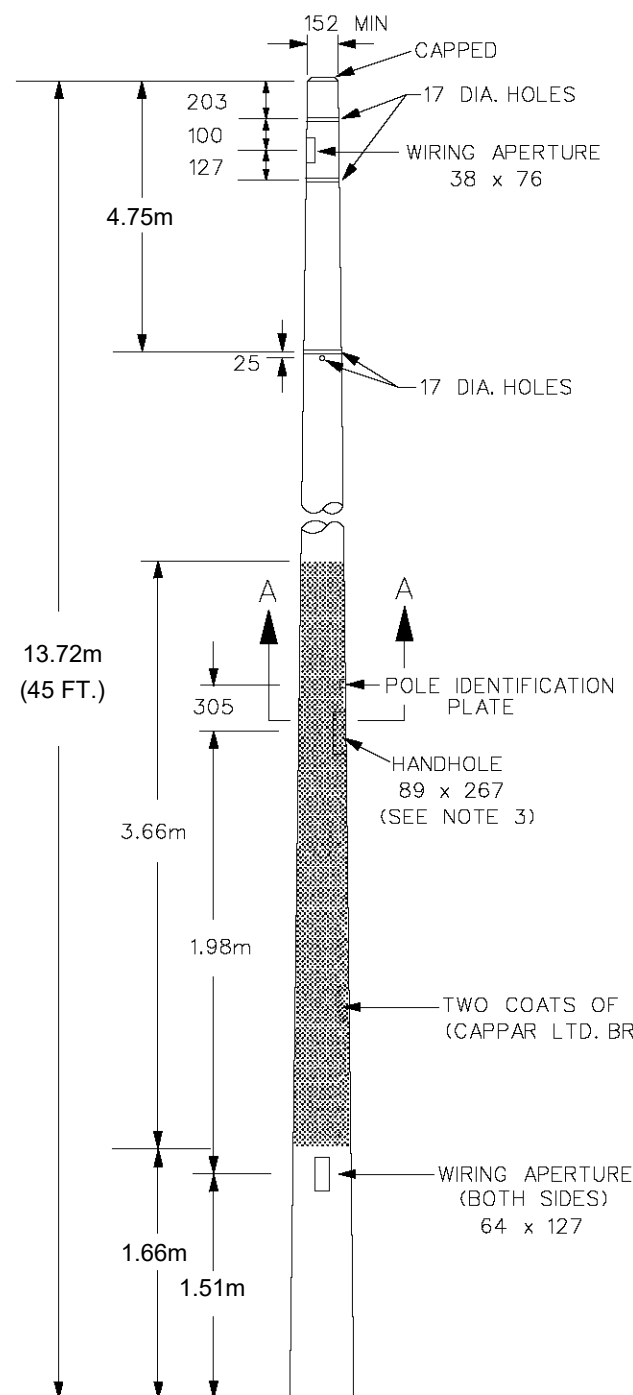
APPROVED:  
MARCH  
2017

ORIGINAL:  
JUNE 2006

REV. 1

**530**

N.T.S



**MATERIAL**

- a. 1/4"-20x3/4" THREADED CORE.
- b. 1/4"-20x3/4" ALLEN KEY BUTTON PAN HEAD STAINLESS STEEL BOLT.
- c. GROUNDING LEAD - USE NO. 6 AWG MIN. STRANDED CU. WIRE, THREE TURNS, CRIMPED TO STEEL ROD. LEAD TO EXTEND 305mm OUTSIDE THE HANDHOLE.
- d. CAST METALLIC HANDHOLE FRAME AND COVER.

**NOTE :**

1. DIMENSIONS SHOWN ARE IN MILLIMETERS UNLESS OTHERWISE SPECIFIED.
2. POLE TO BE CONSTRUCTED AS PER CSA A14-00 OR LATEST REVISION FOR SPUN REINFORCED CONCRETE POLE.
3. METALLIC HANDHOLE FRAME MUST BE ELECTRICALLY BONDED TO THE NO. 6 GROUND WIRE.
4. CONTRACTOR TO APPLY ANTI-SEIZE TO HANDHOLE COVER BOLT



**BRAMPTON**  
Flower City

**STREET LIGHT POLE**

C.S.A. CLASS 'B' 13.72m (45FT)  
ROUND PRE-STRESS CONCRETE

STREET LIGHT DETAILS - 500

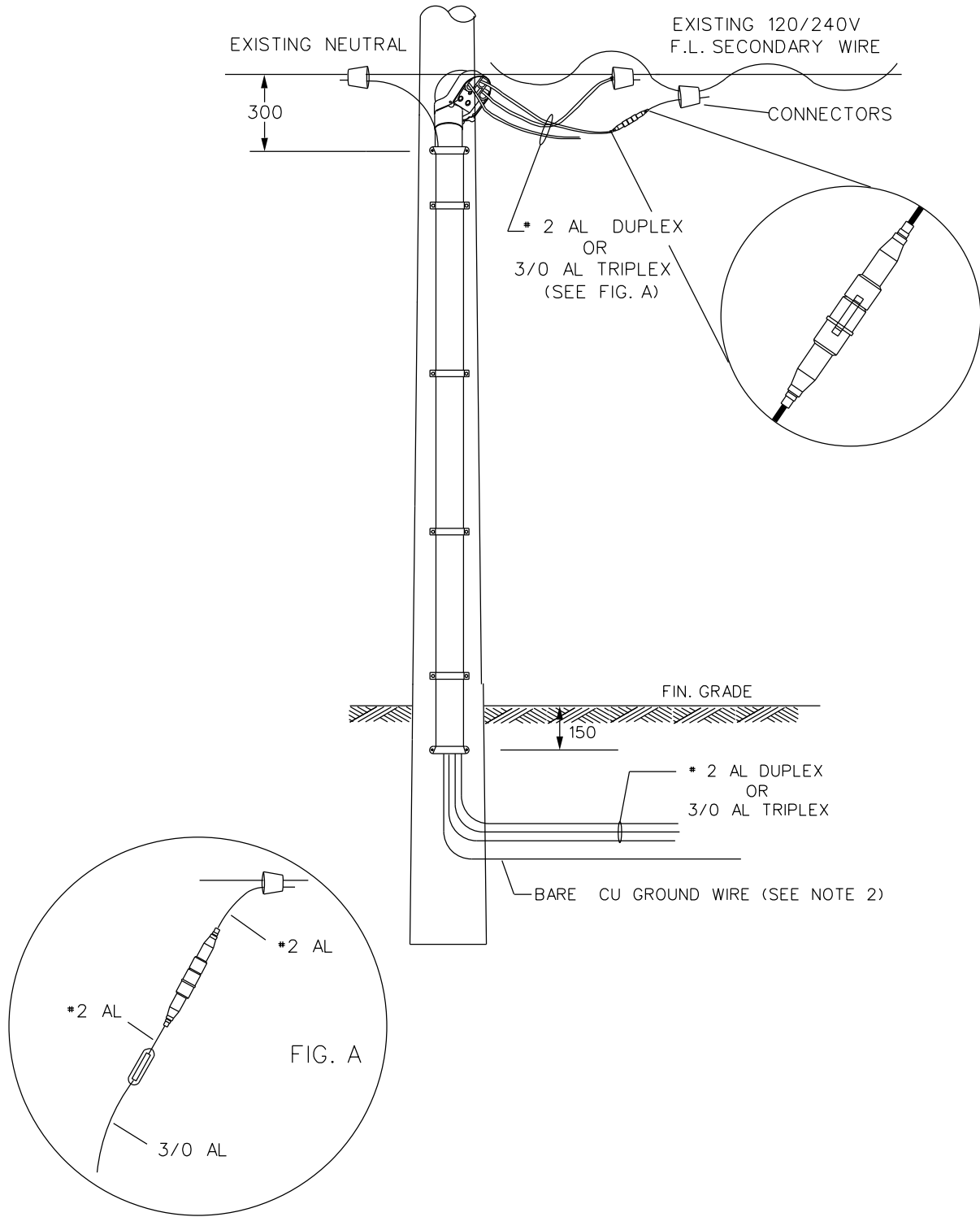
APPROVED:  
JUNE 2020

ORIGINAL:  
JUNE 2020

REV. 0

**531**

N.T.S



NOTE:

1. LEAVE COILS FOR FINAL CONNECTION BY HYDRO ONE BRAMPTON.
2. #6 CU. BARE GRD. WIRE REQUIRED FOR #2 AL DUPLEX AND 3/0 AL TRIPLEX.

FOR MAINTENANCE ONLY



**BRAMPTON**  
Flower City

STREET LIGHT  
SUPPLY

OVERHEAD TO UNDERGROUND  
STREET LIGHT DETAILS - 500

APPROVED:  
APRIL 2014

ORIGINAL:  
JUNE 2006

REV. 0

**540**

N.T.S

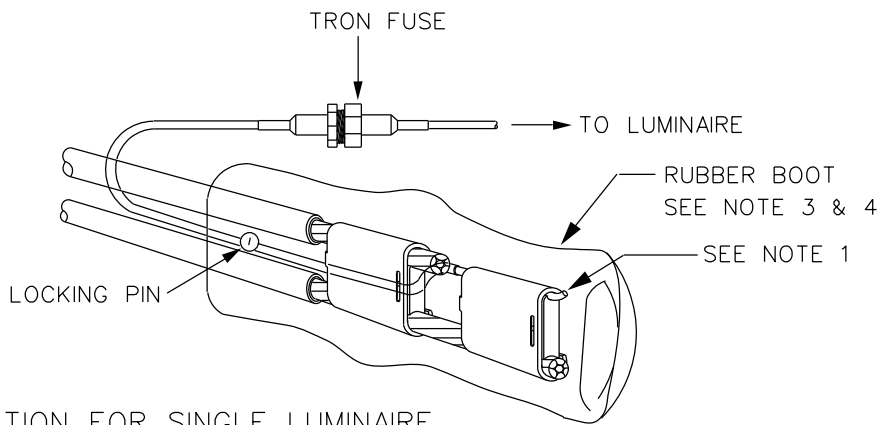


FIG. 1 - CONNECTION FOR SINGLE LUMINAIRE

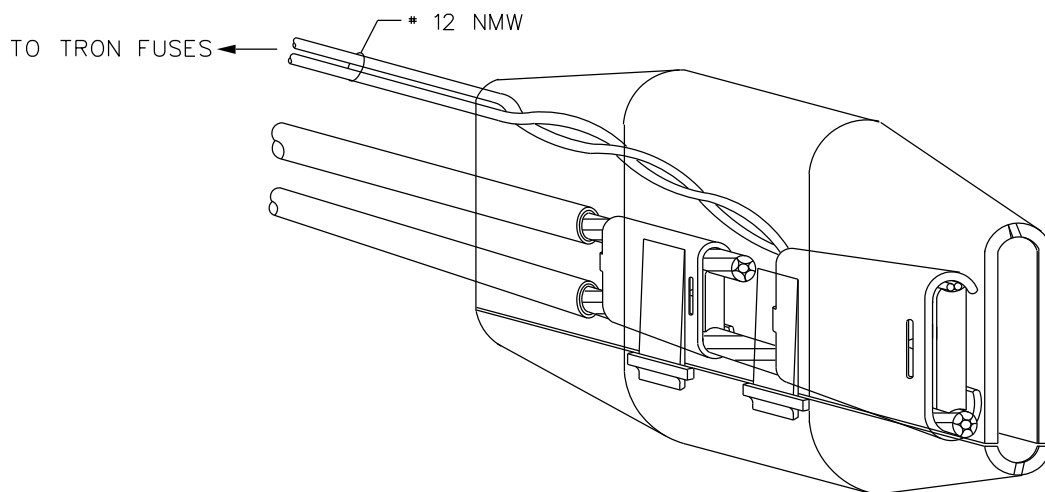
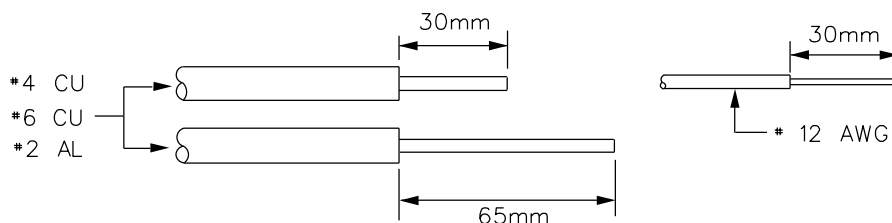


FIG. 2 - CONNECTION FOR DOUBLE LUMINAIRE



CABLE STRIPPING LENGTHS

NOTE:

1. BEND SLIGHTLY TO PREVENT CONDUCTOR FROM SLIDING OUT.
2. # 12 NMW WIRE STRIP LENGTH TO SUIT MINI-WEDGE CONNECTOR.
3. APPLY SILICON GREASE TO THE INSIDE WALL OF THE RUBBER BOOT FOR EASE OF INSTALLATION.
4. RUBBER BOOT MUST BE INSTALLED IN THE VERTICAL POSITION INSIDE THE HANDHOLE.

FOR MAINTENANCE ONLY



**BRAMPTON**  
Flower City

C-LOK CONNECTOR  
INSTALLATION

STREET LIGHT DETAILS - 500

APPROVED:  
APRIL 2014

ORIGINAL:  
JUNE 2006

REV. 1

**541**

N.T.S



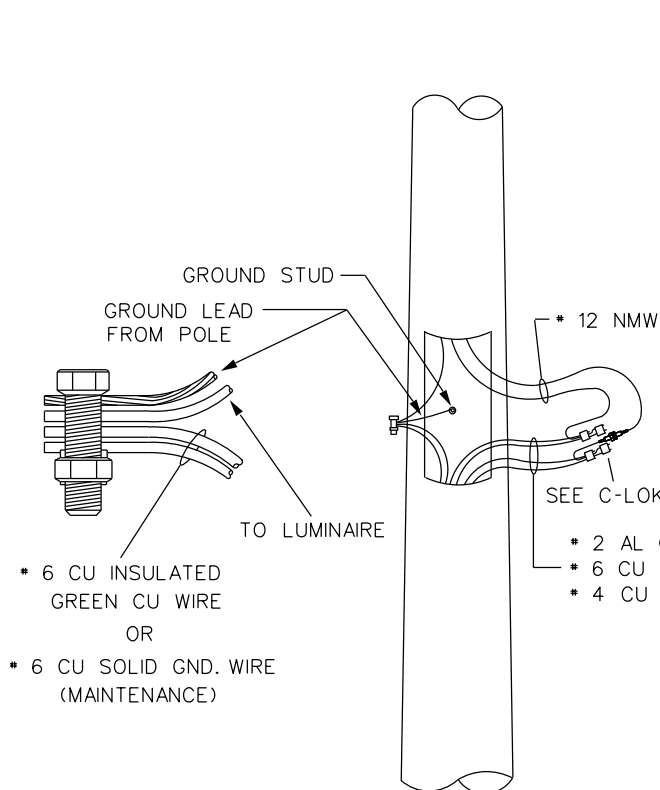


Fig. 1

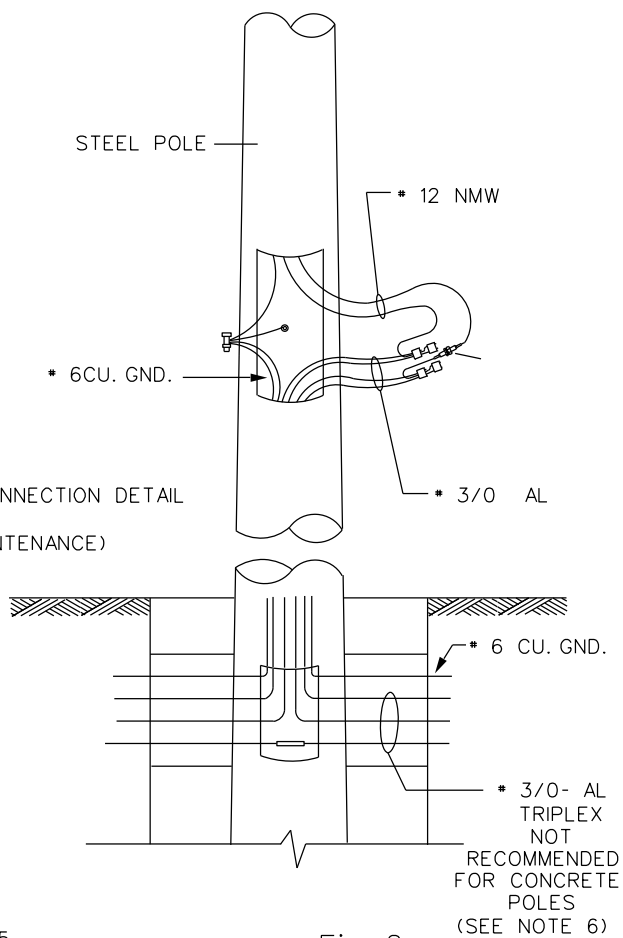
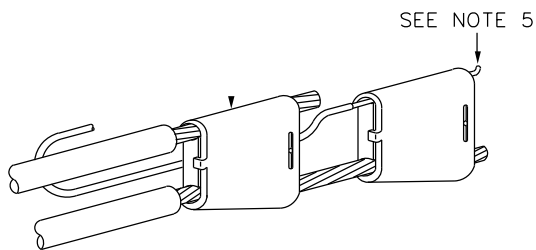


Fig. 2



DETAIL OF C-LOK CONNECTION

NOTE:

1. CONNECT BLACK CONDUCTORS TOGETHER AND CONNECT WHITE CONDUCTORS TOGETHER.
2. SMALL GROVE IN C-LOK CONNECTOR IS FOR #12 CONDUCTOR.
3. CONNECT GROUND WIRES TO STUD PROVIDED IN HANDHOLE USING SPLIT BOLT CONNECTOR.
4. SEE DETAIL INSTALLATION OF C-LOK CONNECTORS. STD. 542
5. FOR ORNAMENTAL LUMINAIRES, ENSURE #12 STRANDED WIRE IS TWISTED BEFORE APPLYING C-LOK CONNECTORS.
6. FIG. 2, 3/0 TRIPLEX OPTION, IS AVAILABLE WHERE VOLTAGE DROP IS A CONCERN.

FOR MAINTENANCE ONLY



**BRAMPTON**  
Flower City

**C-LOK HANDHOLE CONNECTIONS**

FOR STREET LIGHT POLES  
STREET LIGHT DETAILS - 500

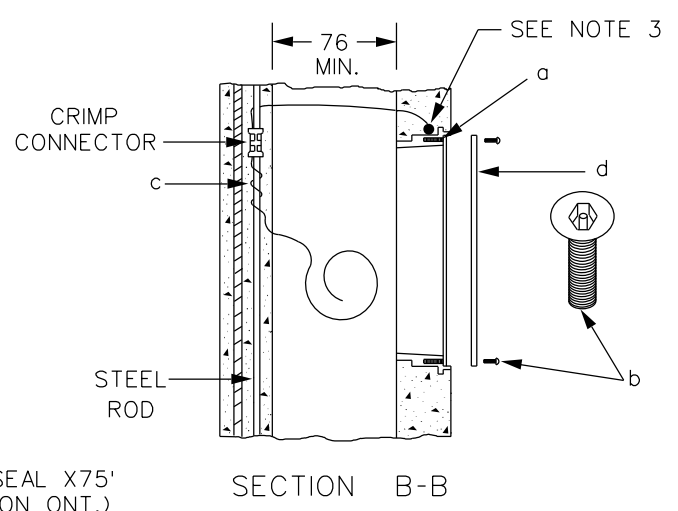
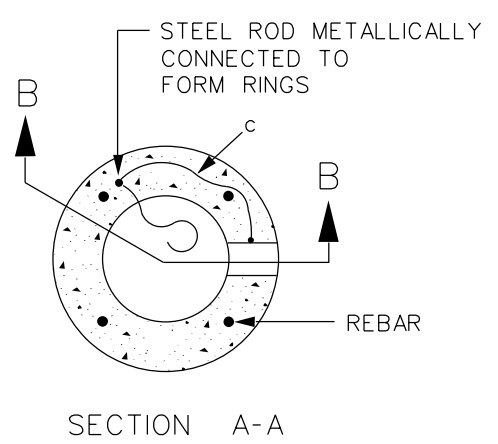
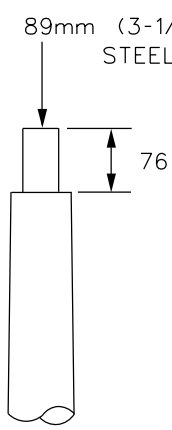
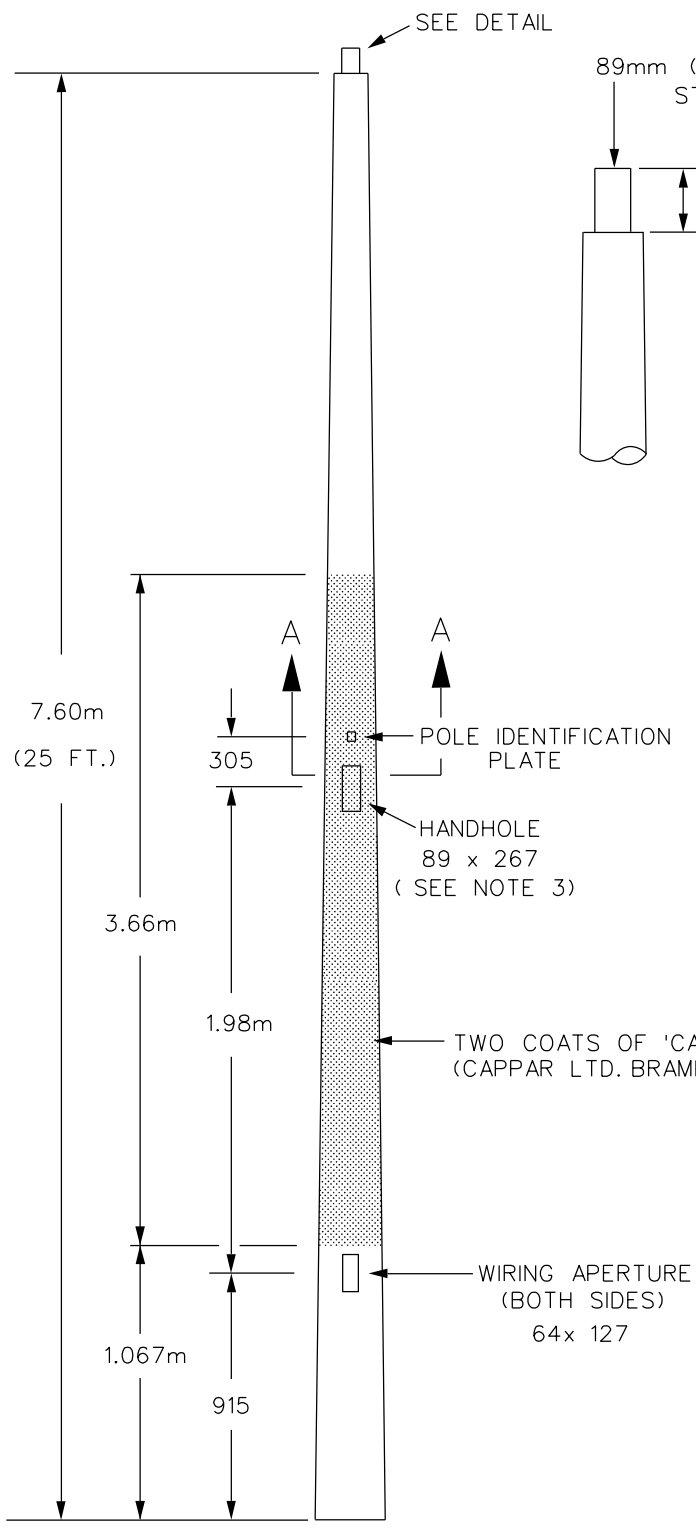
APPROVED:  
APRIL 2014

ORIGINAL:  
JUNE 2006

REV. 1

**542**

N.T.S



**MATERIAL**

- a. 1/4"-20x3/4" THREADED CORE.
- b. 1/4"-20x3/4" ALLEN KEY BUTTON PAN HEAD STAINLESS STEEL BOLT C/W ANTI-SEIZE COMPOUND
- c. GROUNDING LEAD - USE NO. 6 AWG MIN. STRANDED CU. WIRE, THREE TURNS, CRIMPED TO STEEL ROD. LEAD TO EXTEND 305mm OUTSIDE THE HANDHOLE.
- d. CAST METALLIC HANDHOLE FRAME AND COVER.

**NOTE**

1. DIMENSIONS SHOWN ARE IN MILLIMETERS UNLESS OTHERWISE SPECIFIED.
2. POLE TO BE CONSTRUCTED AS PER CSA A14-M (LATEST REVISION)
3. METALLIC HANDHOLE FRAME MUST BE ELECTRICALLY BONDED TO THE NO. 6 GROUND WIRE.

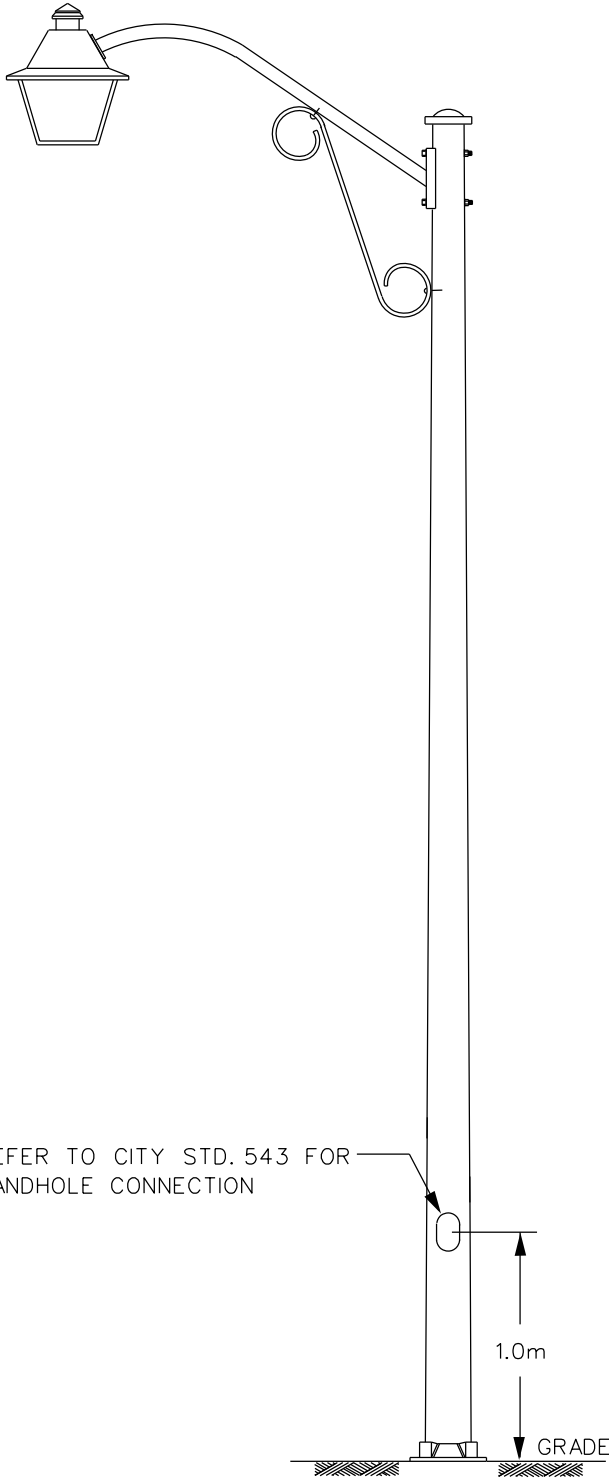
FOR MAINTENANCE ONLY



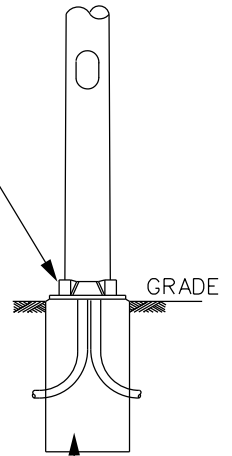
**TENON POST TOP ROUND**  
 C.S.A. CLASS 'A' 7.6m (25FT) PRE-STRESS CONCRETE POLE  
 STREET LIGHT DETAILS - 500

APPROVED:  
 MARCH 2017  
 ORIGINAL:  
 JUNE 2006

REV. 1  
**543**  
 N.T.S



CAST ALUM. ALLOY SHOE  
 BASE C/W A/BOLT NUT  
 CAPS. SHOE BASE TO  
 SUIT 4-25mm DIA. A/BOLTS  
 AT 25mm - 279mm B.C.



FOR DETAILS OF CONCRETE BASE  
 AND POLE ANCHOR SEE STD. 532

REFER TO CITY STD. 543 FOR  
 HANDHOLE CONNECTION

1.0m

GRADE

FOR MAINTENANCE ONLY



**BRAMPTON**  
 Flower City

**STREET LIGHT**

ON 6.10m (20FT) ALUMINUM  
 BASE MOUNTED POLE

STREET LIGHT DETAILS - 500

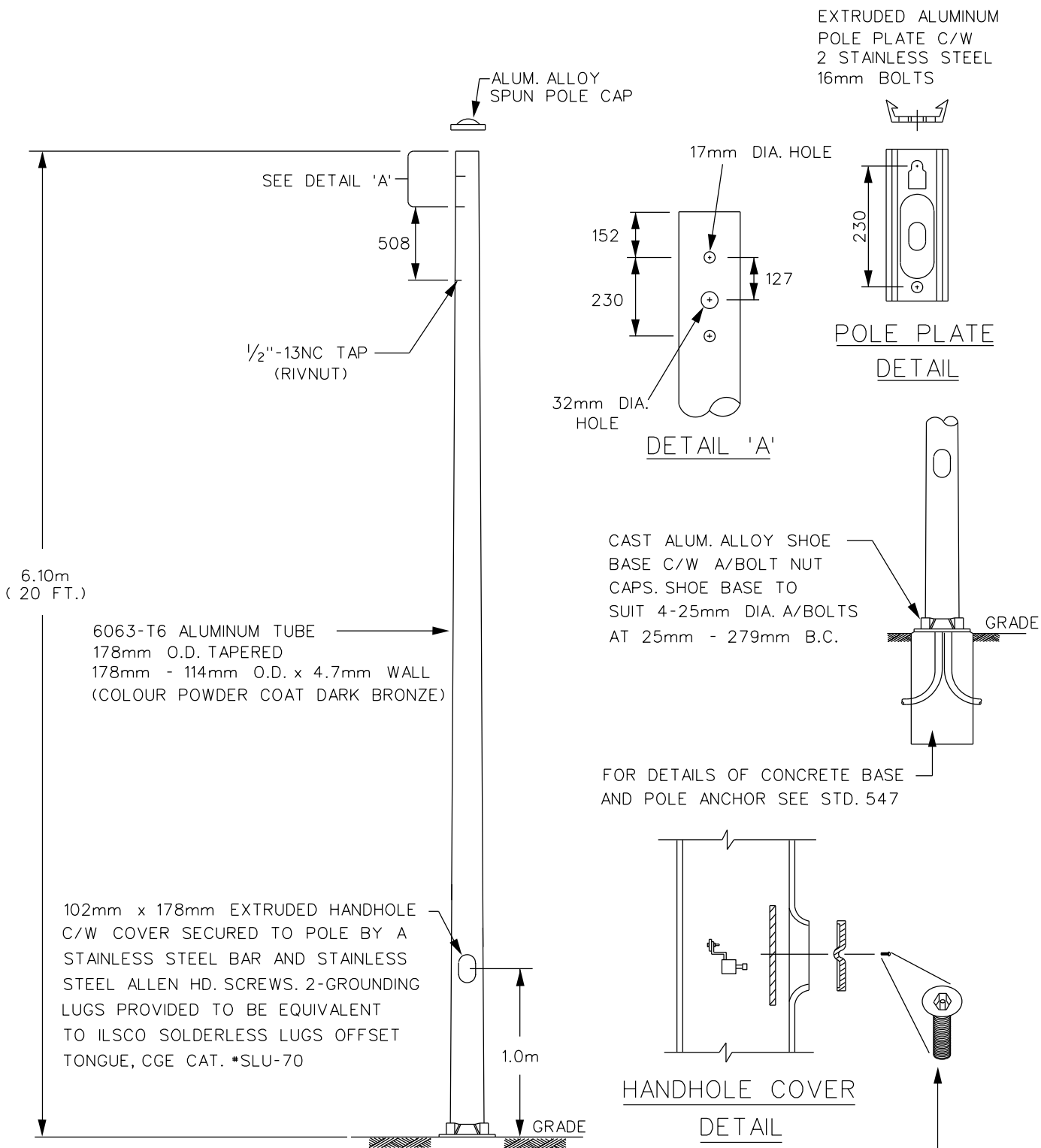
APPROVED:  
 APRIL 2014

ORIGINAL:  
 JUNE 2006

REV. 0

**544**

N.T.S



**NOTE:**

1. DIMENSIONS SHOWN ARE IN MILLIMETRES UNLESS OTHERWISE SPECIFIED.
2. REFER TO STD. 544 FOR INSTALLATION OF STREET LIGHT FIXTURE.

FOR MAINTENANCE ONLY



**BRAMPTON**  
Flower City

**ORNAMENTAL STREET LIGHT POLE**

6.1m (20FT) ROUND ALUMINUM  
STREET LIGHT DETAILS - 500

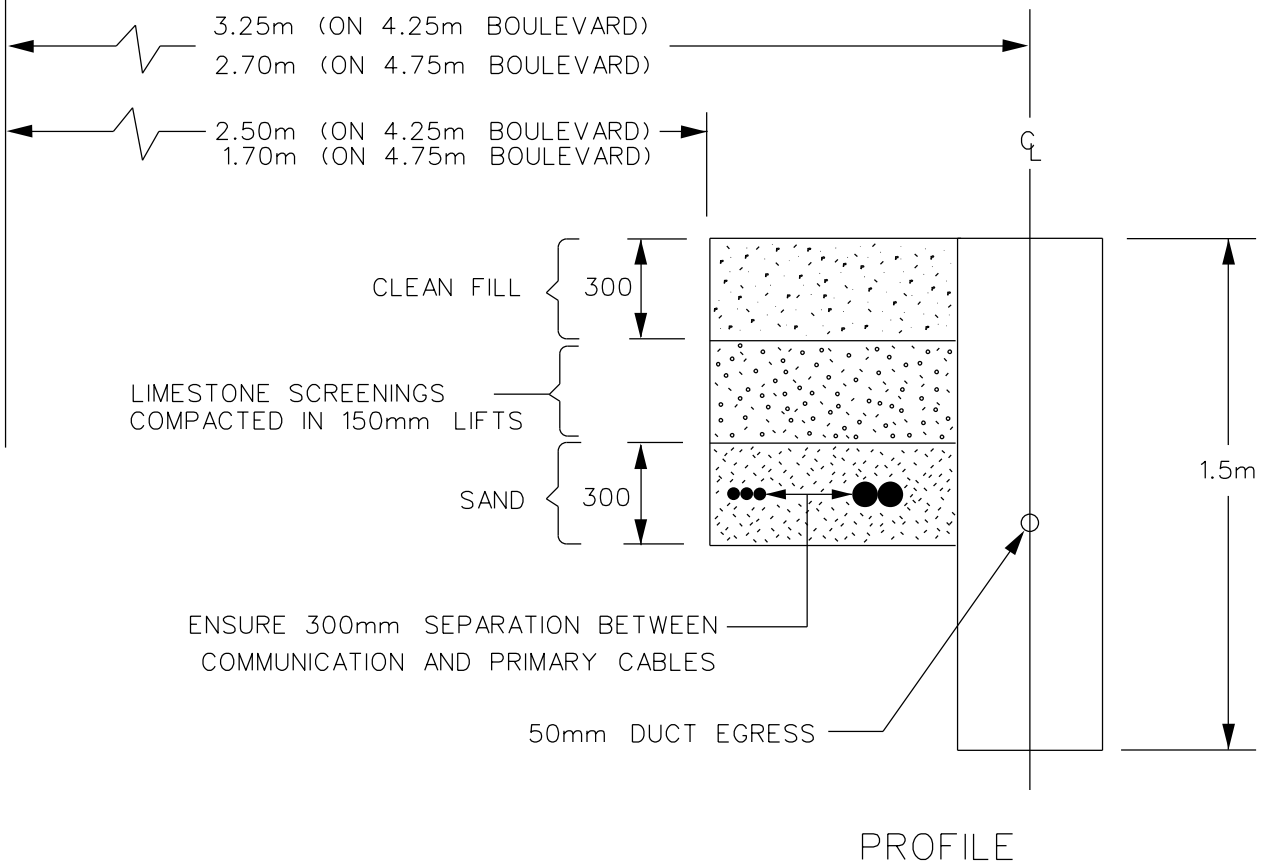
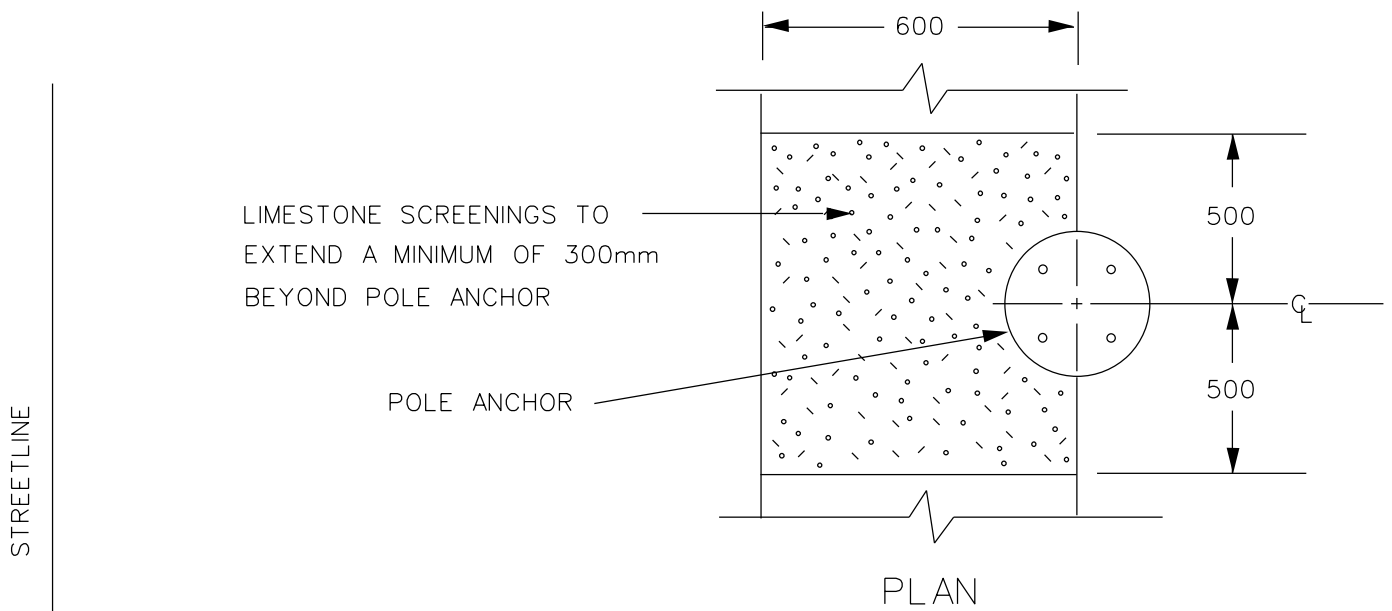
APPROVED:  
MARCH  
2017

ORIGINAL:  
JUNE 2006

REV. 1

**545**

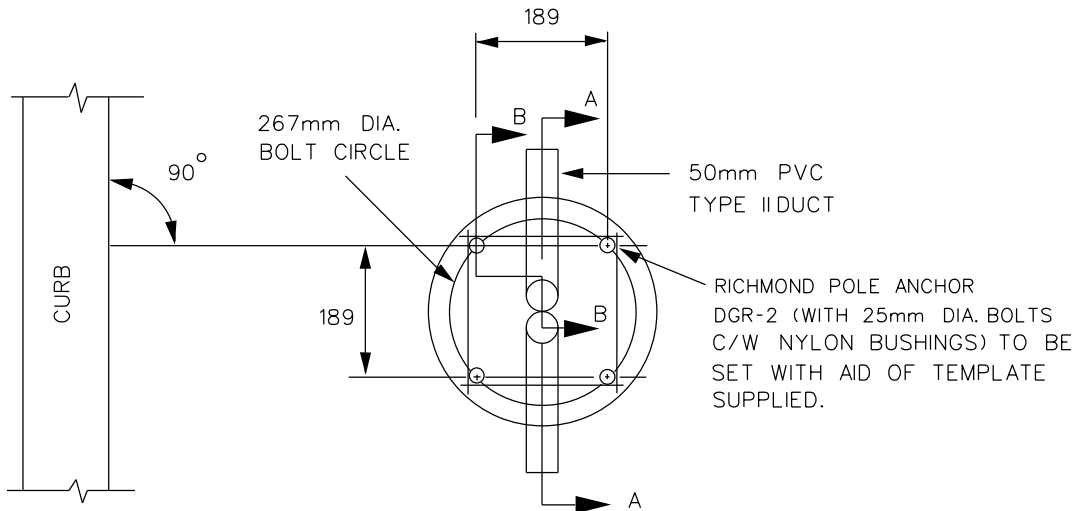
N.T.S



NOTE:

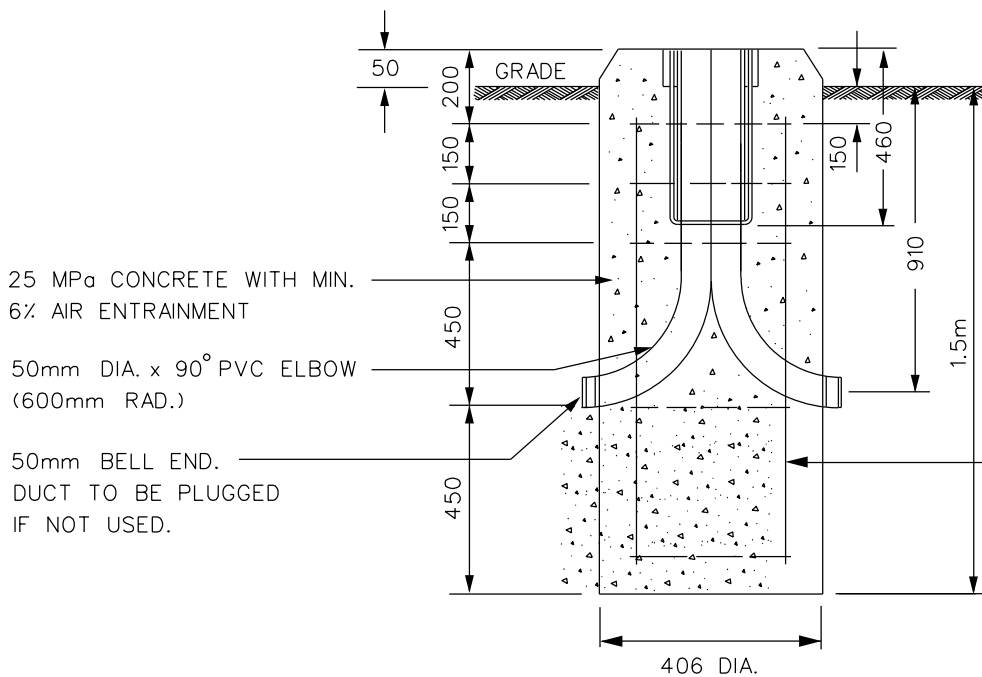
CONCRETE POLE ANCHOR TO BE INSTALLED 2 DAYS PRIOR TO TRENCHING.  
EXCAVATION FOR POLE ANCHOR TO BE COMPLETED BY AUGER ONLY.

FOR MAINTENANCE ONLY



**NOTES:**

1. FORM BASE WITH SONO TUBE FLUSH WITH FINAL GRADE.
2. SONO TUBE TO BE PEELED OFF 150mm FROM TOP AFTER CONCRETE HARDENS.
3. TOP OF FOUNDATION TO BE LEVEL AND SMOOTH.
4. REFER TO STREET LIGHT POLE INSTALLATION STANDARD 545

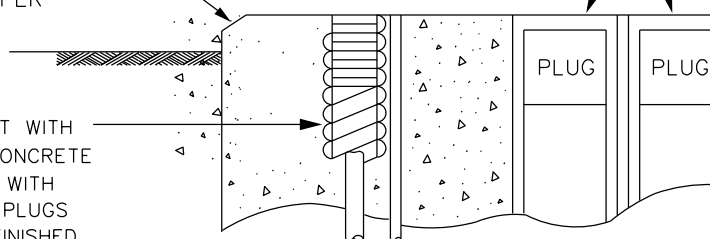


**SECTION 'A-A'**

25mm 45° CHAMFER

50mm PVC DUCT TO BE SET FLUSH WITH FINISHED CONCRETE AND PLASTIC PLUG INSTALLED.

INSTALL POLE BASE INSERT WITH BOLTS IN PLACE. AFTER CONCRETE HAS SET REPLACE BOLTS WITH PLUGS. TOP OF INSERT & PLUGS TO BE SET FLUSH WITH FINISHED CONCRETE.



**SECTION 'B-B'**

FOR MAINTENANCE ONLY



**BRAMPTON**  
Flower City

**INSTALLATION OF CONCRETE BASE AND POLE ANCHOR**

FOR ORNAMENTAL STANDARD  
STREET LIGHT DETAILS - 500

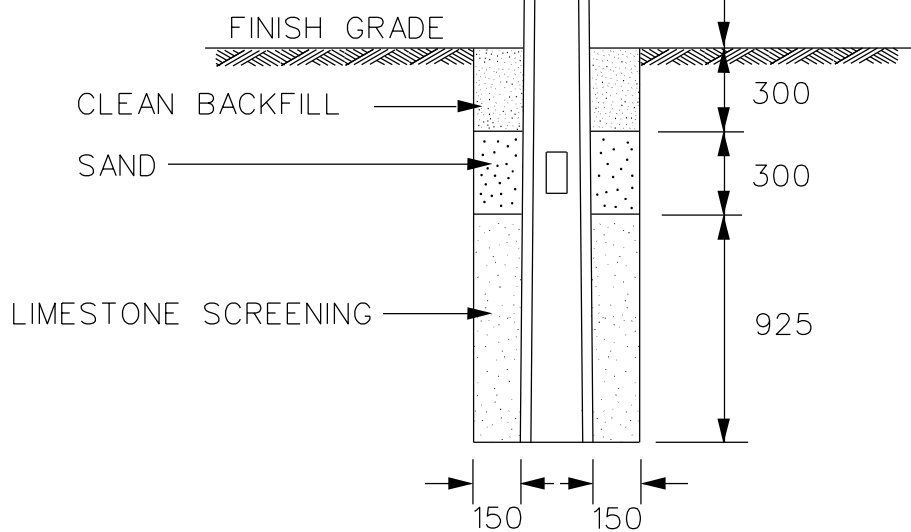
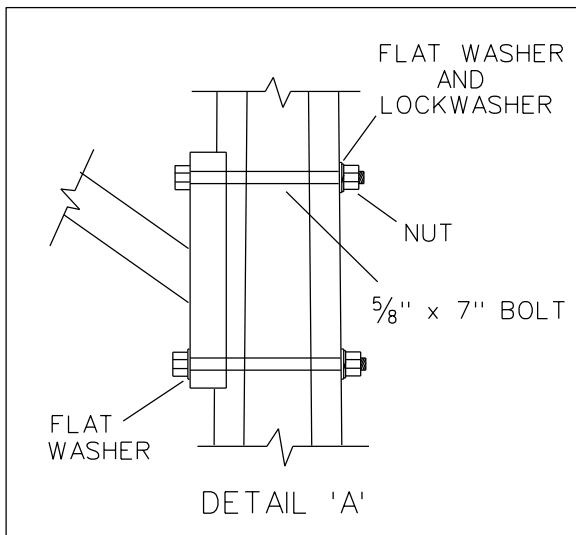
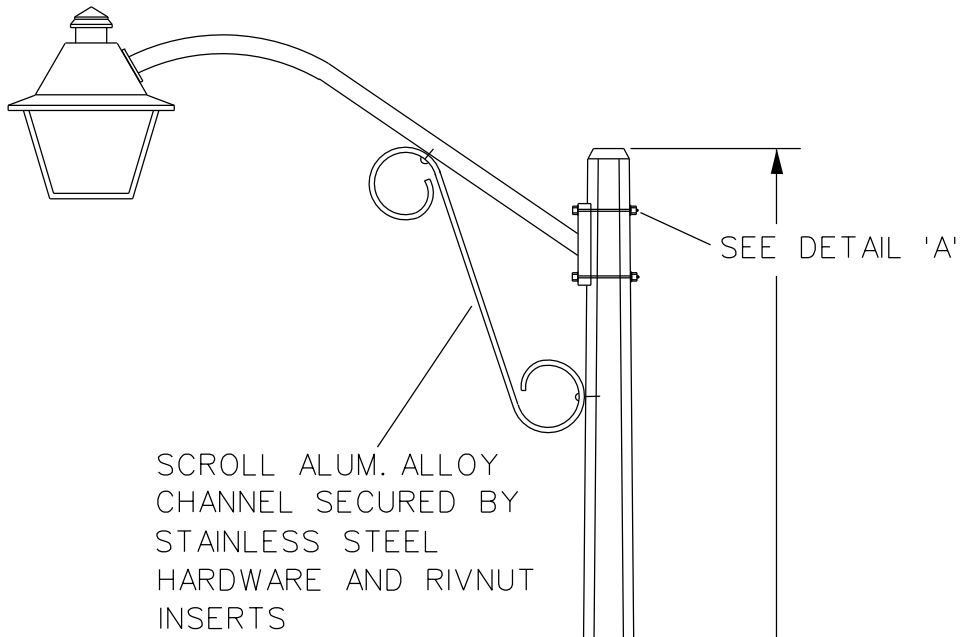
APPROVED:  
APRIL 2014

ORIGINAL:  
JUNE 2006

REV. 0

**547**

N.T.S



FOR MAINTENANCE ONLY



**BRAMPTON**  
Flower City

DECORATIVE  
STREET LIGHT

ON 7.6m (25FT)  
NOSTALGIA CONCRETE POLE

STREET LIGHT DETAILS - 500

APPROVED:  
APRIL 2014

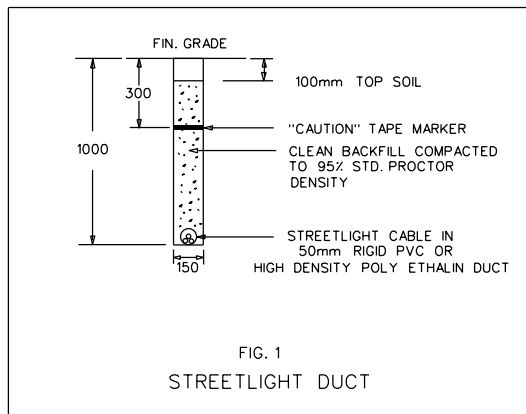
ORIGINAL:  
JUNE 2006

REV. 0

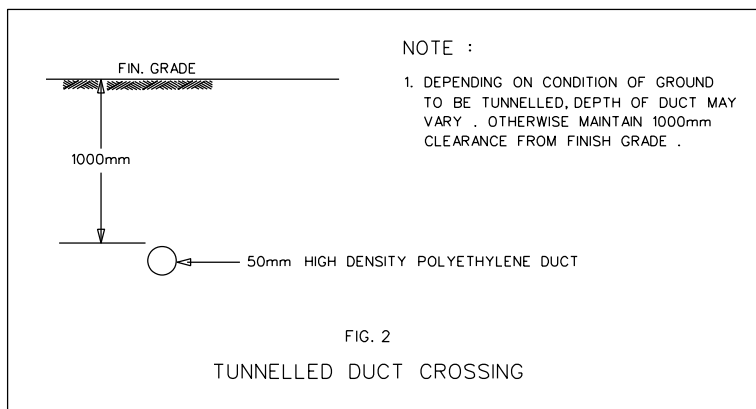
**548**

N.T.S

STREETLIGHT OPEN TRENCH CONFIGURATION



DIRECTIONAL BORE (ROADWAY AND/OR BOULEVARD)



NOTES:

1. ALL DUCTS TO BE CSA APPROVED PVC TYPE II, TERMINATED WITH MANUFACTURED BELL ENDS. ALL SPARE DUCTS ARE TO BE CAPPED.
2. FISH STRING TO BE INSTALLED AND TIED OFF IN EACH DUCT INSTALLED



**BRAMPTON**  
Flower City

TRENCH DETAILS

STREET LIGHT DETAILS - 500

APPROVED:  
APRIL 2014

ORIGINAL:  
JUNE 2006

REV. 0

**549**

N.T.S



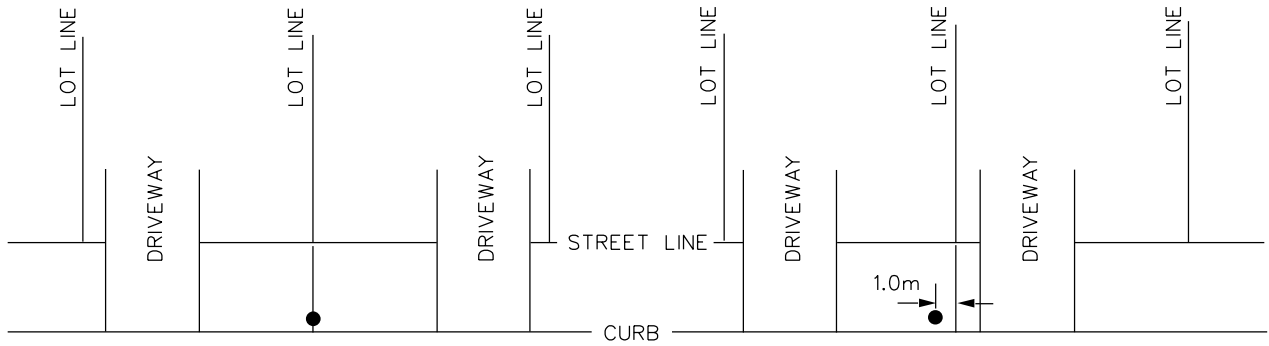


FIG. 1

FIG. 2

NOTES:

1. STREET LIGHT OFFSET FROM CURB IS IN ACCORDANCE WITH CITY OF BRAMPTON STANDARDS.
2. FIG.1 AND FIG.3 ARE REPRESENTED ON CIVIL LAYOUT DRAWINGS AS CENTERED ON THE LOT LINE PROJECTION.
3. FIG. 2, FIG. 3 AND FIG. 4 ARE REPRESENTED ON CIVIL LAYOUT DRAWINGS WITH THE APPROPRIATE DIMENSIONED OFFSET.

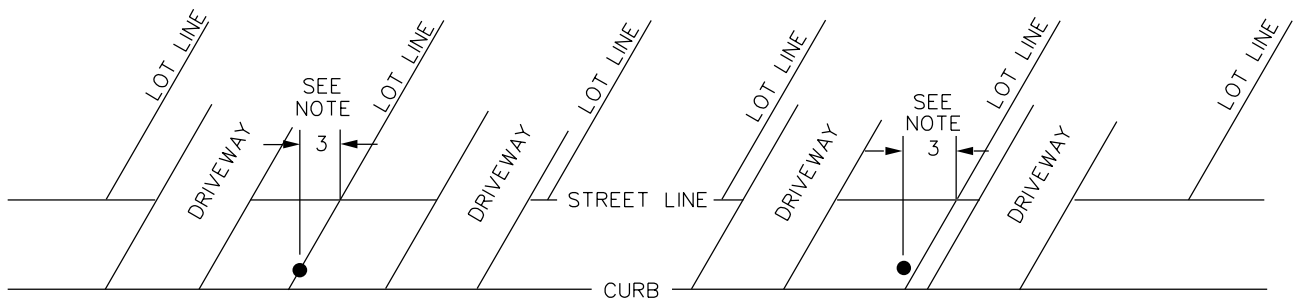


FIG. 3

FIG. 4



**BRAMPTON**  
Flower City

**STREET LIGHT /  
DRIVEWAY  
INSTALLATION**

TYPICAL

STREET LIGHT DETAILS - 500

APPROVED:  
APRIL 2014

ORIGINAL:  
JUNE 2006

REV. 1

**561**

N.T.S