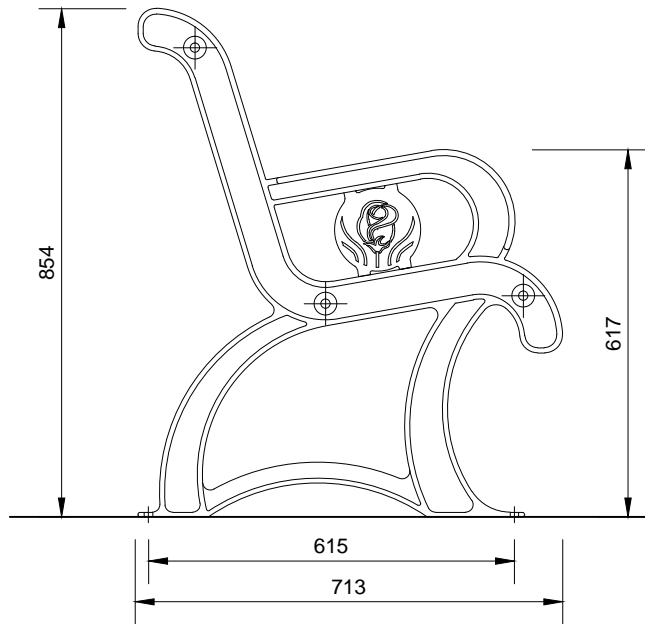


**PARK BENCH: ARMREST LOGO**

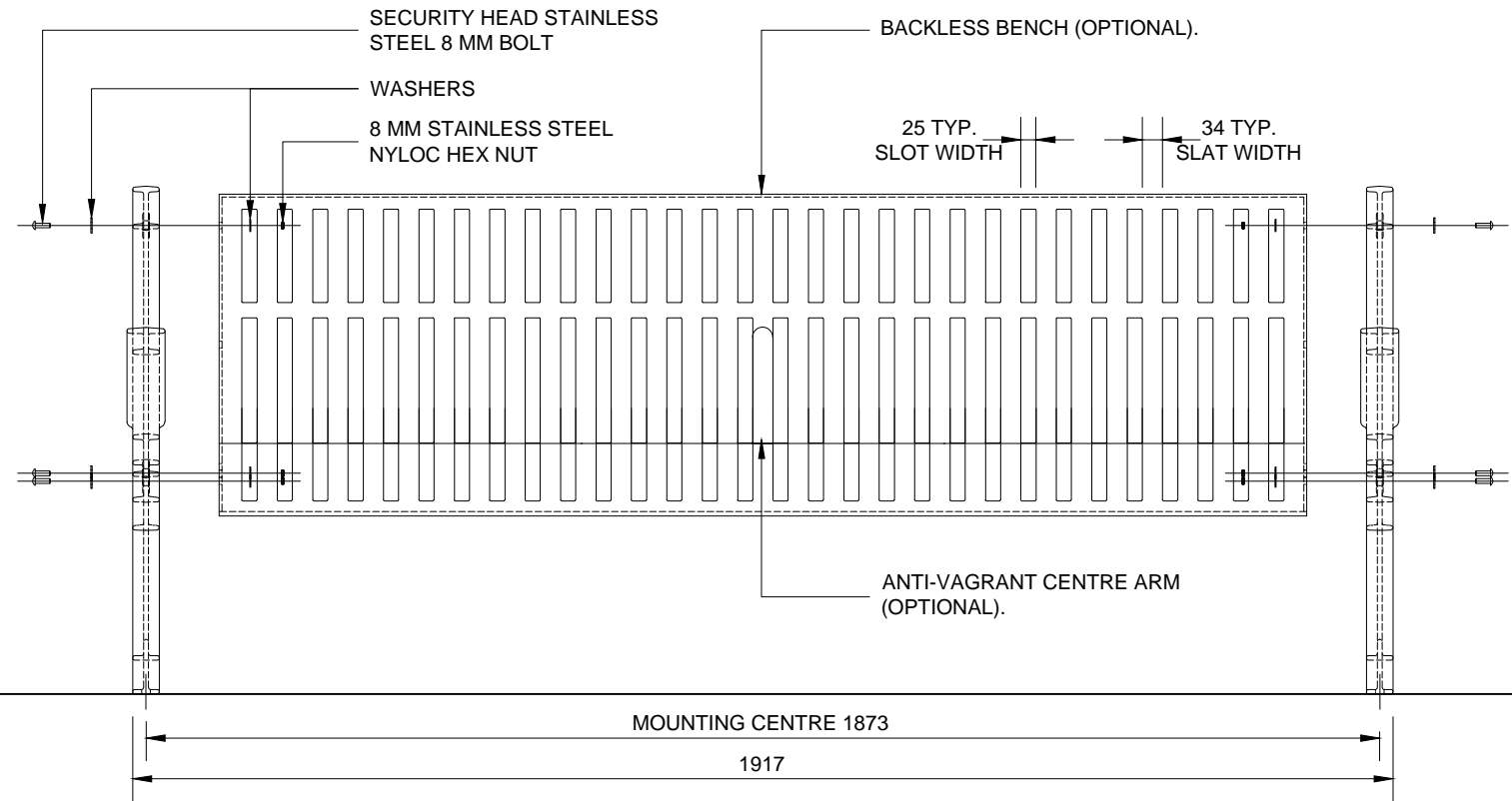


**PARK BENCH: ARMREST ELEVATION**

**SPECIFICATIONS:**  
**CAST ALUMINUM LEG FRAMES (WITH ROSE LOGO PANEL):**  
 CAST ALUMINUM, STRONG "H"-BEAM CROSS SECTION, 8 MM AVERAGE WALL THICKNESS. OPTIONAL ANTI-VAGRANT CENTRE ARM, 33 MM O.D. ILG STEEL TUBE.  
**HARDWARE:**  
 ALL STAINLESS STEEL. ANCHORING HARDWARE NOT INCLUDED.  
**SEATING SURFACES:**  
 PERFORATED STEEL -- 11 GAL. (VERTICAL SLOT PATTERN ONLY)  
 COMMON ELEMENTS -- 11 GAL. STEEL SUPPORT WEBS AND BRACKETS, 5X38 MM BAR.  
**FINISH:**  
 SEAT SECTIONS -- E-COAT ANTICORROSION PRIMER WITH POLYESTER POWDER TOP COAT (BOTH ELECTROSTATICALLY APPLIED).  
 ALUMINUM LEG FRAMES -- POLYESTER POWDER TOP COAT (ELECTROSTATICALLY APPLIED).

**NOTES:**

1. VINTAGE PARISIAN BENCH WITH OPTIONAL CENTRE ARMREST AND BACKLESS VERSIONS SUPPLIED BY PARIS EQUIPMENT MANUFACTURING LTD. OR APPROVED EQUIVALENT. ALL NEW DEVELOPMENT PARK BENCHES SHALL BE WITHOUT A CENTRE ARMREST.
2. BENCH COLOUR TO BE RAL 5013 COBALT BLUE UNLESS OTHERWISE INDICATED.
3. BENCH IS DELIVERED PRE-ASSEMBLED. HOLES (13 MM) ARE PROVIDED IN EACH FOOT FOR SECURING TO BASE.
4. CONTRACTOR TO PROVIDE HARDWARE (10 MM SHIELD & LAG BOLT OR EQUIVALENT ) FOR INSTALLATION.
5. REFER TO PARK BENCH CONCRETE PAD DETAIL L871 FOR MOUNTING DETAILS.
6. ALL MEASUREMENTS ARE IN MILLIMETRES UNLESS STATED OTHERWISE.



**PARK BENCH: FRONT ELEVATION**

PARK BENCH



L876

SEPTEMBER 2015

SITE AMENITIES - SERIES 800

N.T.S