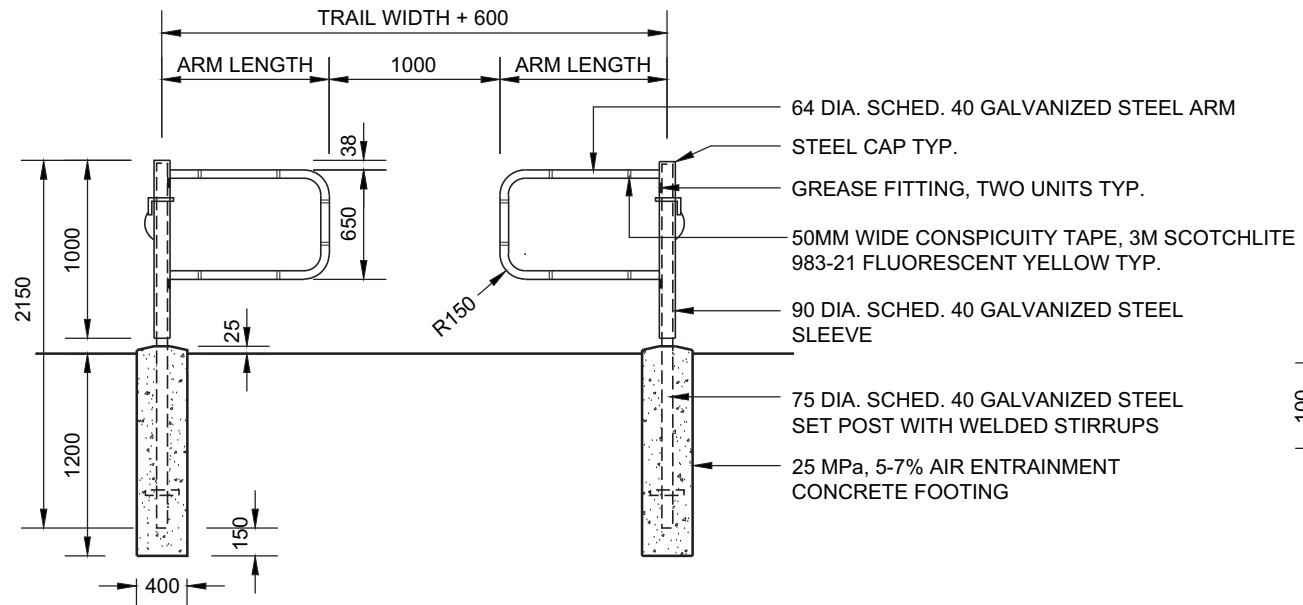


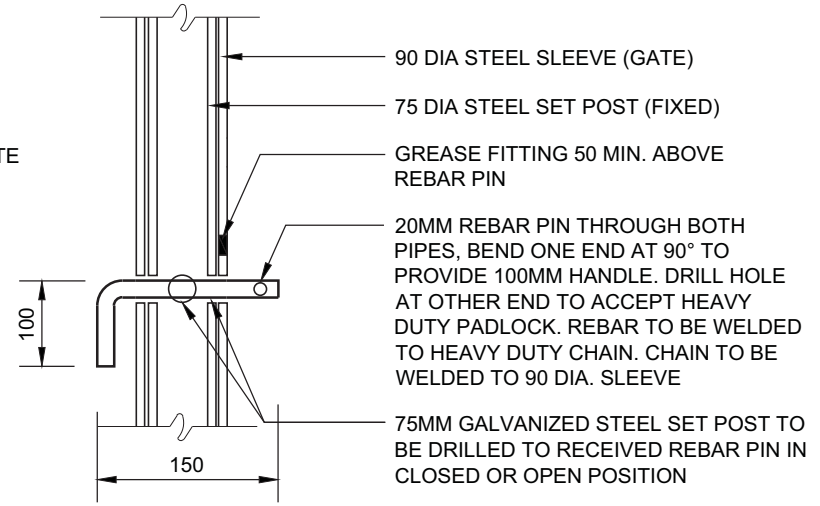
**P - GATE: PLAN**



**P - GATE: ELEVATION / SECTION**

**ARM LENGTH SCHEDULE:**

TRAIL WIDTH	ARM LENGTH
2400 MM	1000 MM
3000 MM	1300 MM



**LOCKING DEVICE: SECTION**

**NOTES:**

1. ALL PIPE AND COMPONENTS TO BE GALVANIZED AFTER FABRICATION (TYP.).
2. ALL PIPE SHALL BE SCHEDULE 40 STEEL.
3. ALL WELDS TO BE 5 MM CONTINUOUS SEAM AND GROUND SMOOTH.
4. CONTRACTOR TO SUPPLY HEAVY DUTY PADLOCK AS REQUIRED.
5. CONTRACTOR TO SUBMIT SHOP DRAWINGS.
6. ALL MEASUREMENTS ARE IN MILLIMETRES UNLESS STATED OTHERWISE.

P - GATE OPTION 1



**L841**

N.T.S

SEPTEMBER 2014

SITE AMENITIES - SERIES 800