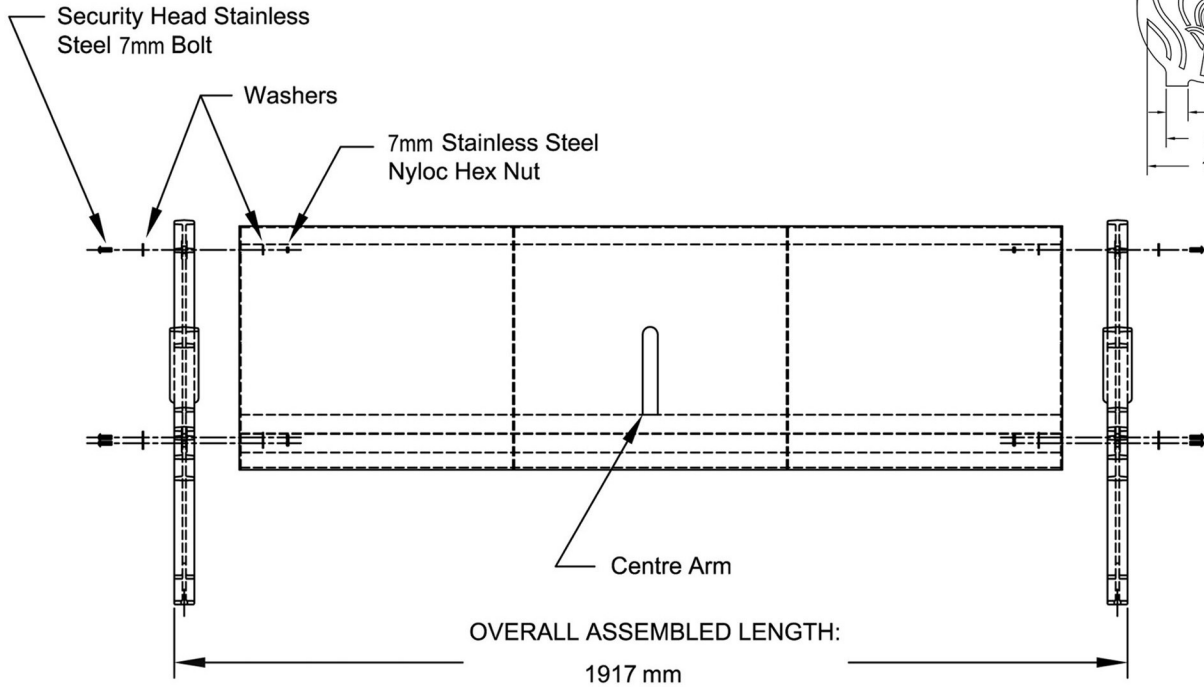
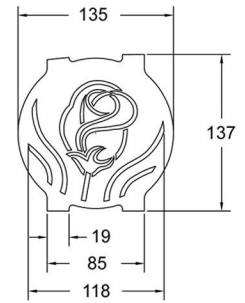
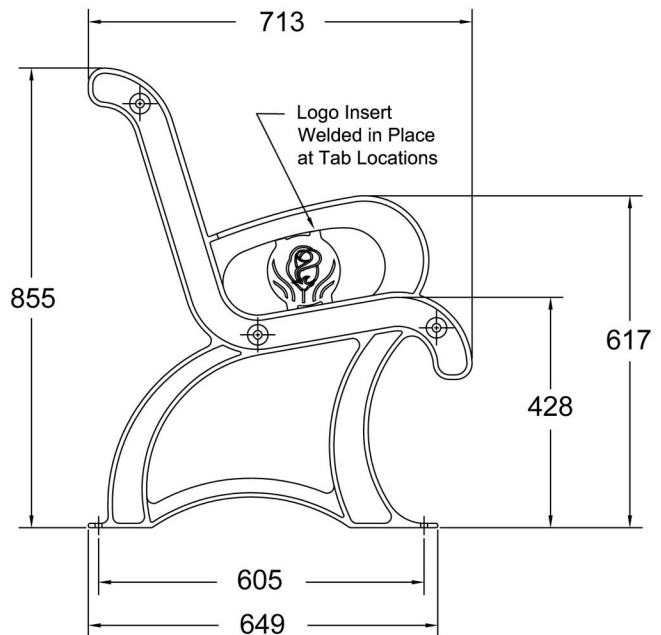


FRONT ELEVATION

ARMREST LOGO



ARMREST ELEVATION



**VINTAGE PARISIAN BENCH
WITH CENTRE ARMREST
BY BELAIR RECREATIONAL PRODUCTS INC.
OR APPROVED EQUIVALENT**

SPECIFICATIONS:

CAST IRON FRAMES:

cast iron with "H"-beam cross section,
7 mm ave. wall thickness

HARDWARE:

all stainless steel with tamper-proof heads

SEATING SURFACE / BACKREST:

perforated steel seat and backrest to be 13 gauge,
perforations to be vertical slots as per manufacturer

BRACING ELEMENTS:

11 gauge steel U-bracket, 25 x 25 mm

NOTES:

1. ALL MEASUREMENTS ARE IN MILLIMETRES.
2. ALL STEEL COMPONENTS ARE POWDER PAINTAS PER MANUFACTURERS SPECIFICATIONS.
3. BENCH COLOUR TO BE RAL 5013 COBALT BLUE UNLESS OTHERWISE INDICATED.

4. THE BENCH IS DELIVERED PRE-ASSEMBLED. HOLES (13MM) ARE PROVIDED IN EACH FOOT FOR SECURING TO BASE. CONTRACTOR TO PROVIDE HARDWARE FOR INSTALLATION

5. REFER TO PARK BENCH CONCRETE PAD DETAIL 871. FOR MOUNTING DETAILS



PLANNING,
DESIGN &
DEVELOPMENT
DEPARTMENT

TITLE: **TECHNICAL BULLETIN NO. 5
VINTAGE PARISIAN PARK BENCH**

DRAWING NO.

PDD **876**

REVIEWED BY: *SH Downing*

SCALE: N.T.S.

APPROVED BY: *Steve Walsh*

DATE: JULY 2007