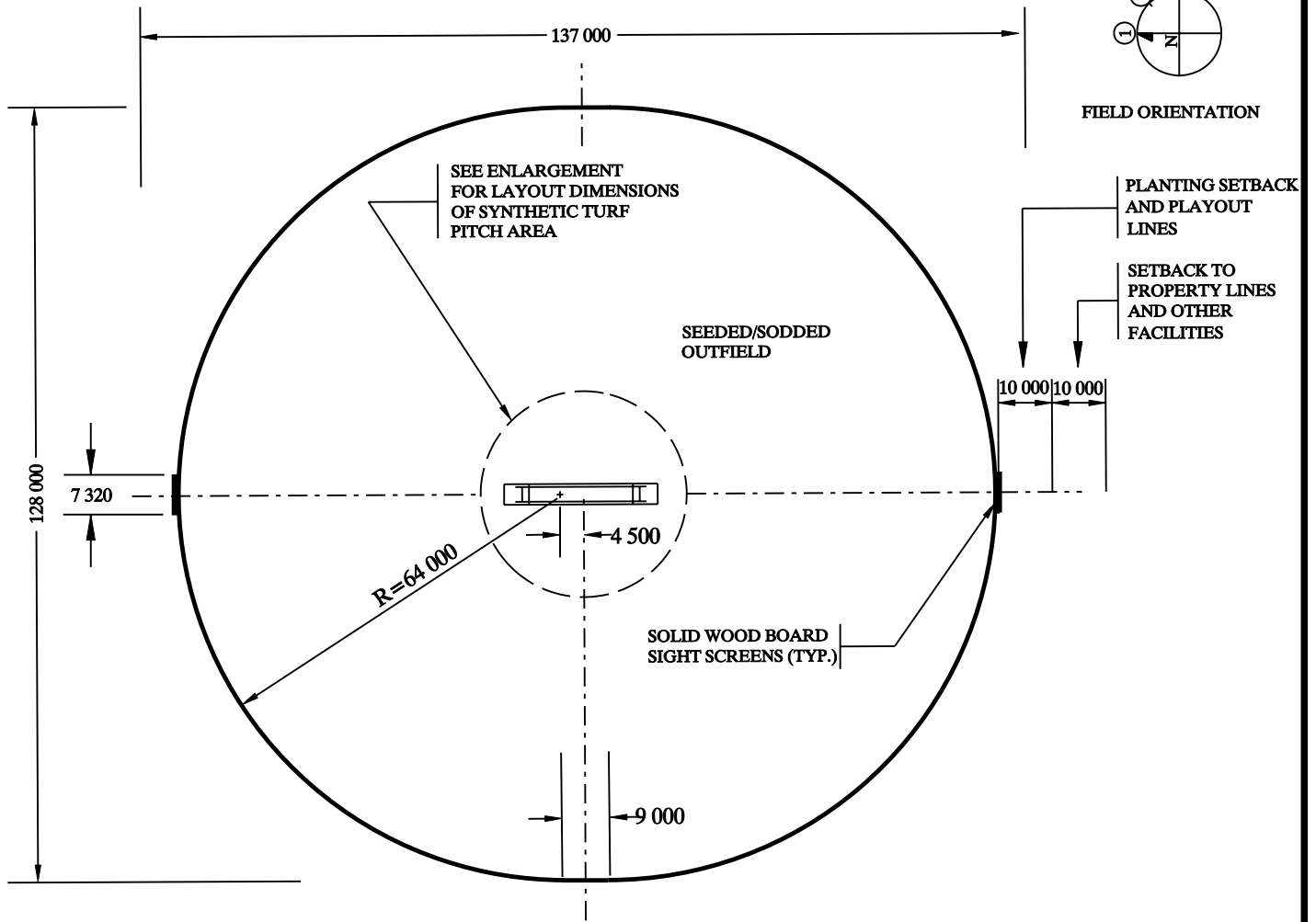
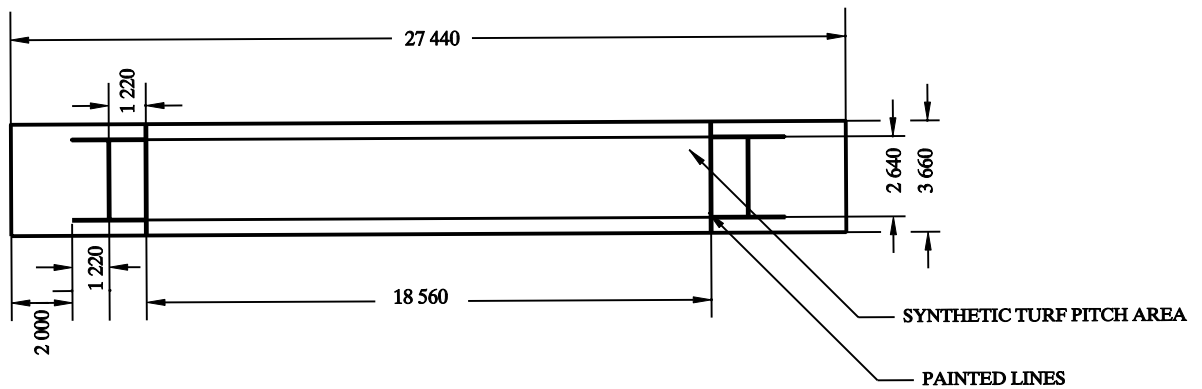


FIELD ORIENTATION



PLAYING AREA LAYOUT



PITCH LAYOUT

NOTES:

1. ALL DIMENSIONS ARE IN MILLIMETRES UNLESS STATED OTHERWISE



**PLANNING,  
DESIGN &  
DEVELOPMENT  
DEPARTMENT**

TITLE:

**CRICKET FIELD (LAYOUT)**

DRAWING NO.

**PDD 470**

REVIEWED BY:

*S.H. [Signature]*

SCALE:

**N.T.S.**

APPROVED BY:

*[Signature]*

DATE:

**JANUARY 2007**