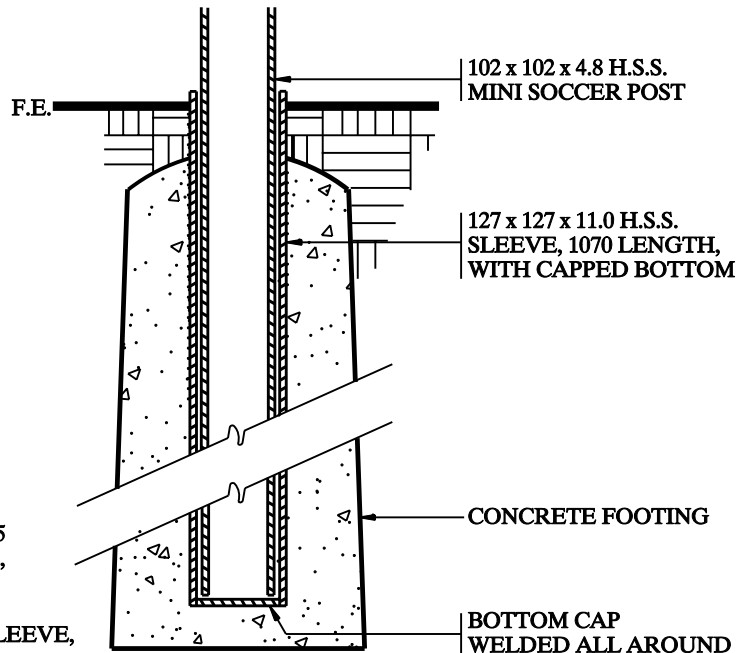
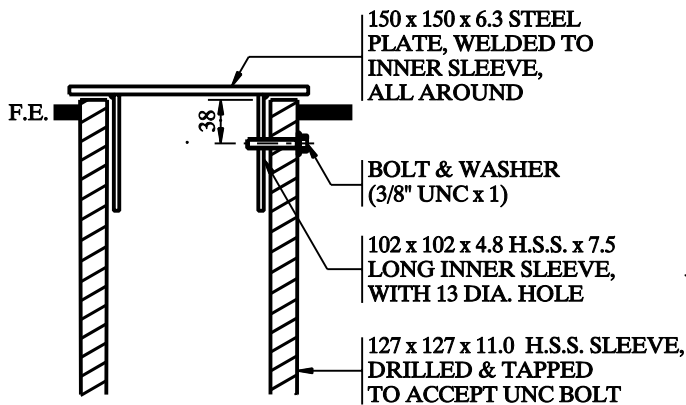


FRONT ELEVATION

SLEEVE COVER ELEVATION



FOOTING/SLEEVE - ELEVATION

NOTES:

1. FABRICATION AND INSTALLATION SHALL BE IN ACCORDANCE WITH SECTION 02871 - MINI SOCCER GOAL POSTS.
2. ALL DIMENSIONS GIVEN IN MILLIMETRES.



PLANNING,
DESIGN &
DEVELOPMENT
DEPARTMENT

TITLE:

MINI SOCCER GOAL POSTS

DRAWING NO.

PDD 453

REVIEWED BY:

S. J. [Signature]

SCALE:

N.T.S.

APPROVED BY:

[Signature]

DATE:

JANUARY 2007