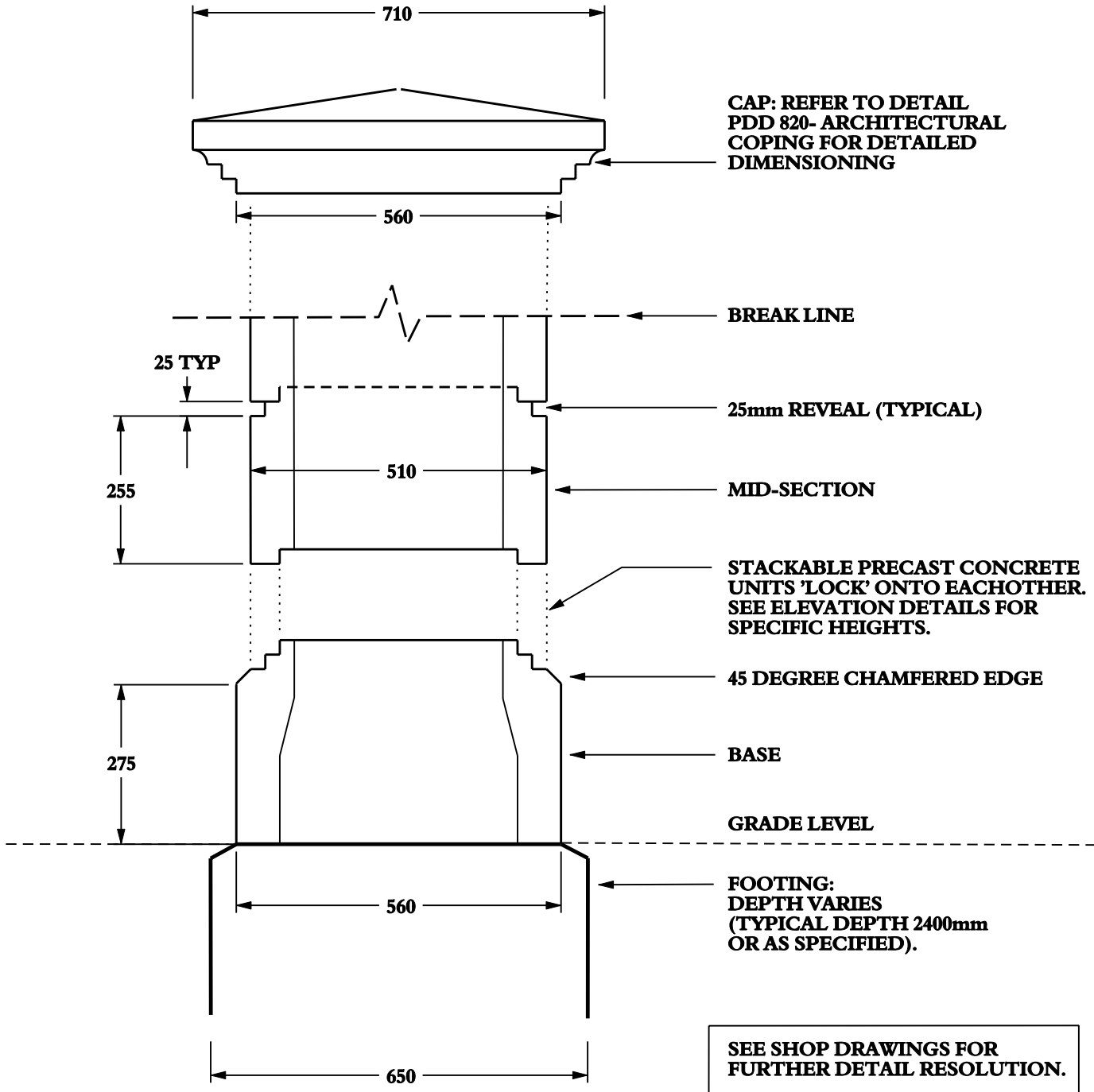


DECORATIVE COLUMNS TO BE SUPPLIED BY KNECHT & BERCHTOLD INC. (905-457-4911) OR APPROVED EQUAL.



CAP: REFER TO DETAIL PDD 820- ARCHITECTURAL COPING FOR DETAILED DIMENSIONING

BREAK LINE

25mm REVEAL (TYPICAL)

MID-SECTION

STACKABLE PRECAST CONCRETE UNITS 'LOCK' ONTO EACH OTHER. SEE ELEVATION DETAILS FOR SPECIFIC HEIGHTS.

45 DEGREE CHAMFERED EDGE

BASE

GRADE LEVEL

FOOTING: DEPTH VARIES (TYPICAL DEPTH 2400mm OR AS SPECIFIED).

SEE SHOP DRAWINGS FOR FURTHER DETAIL RESOLUTION.
ALL MEASUREMENTS ARE IN MILLIMETERS (mm)